




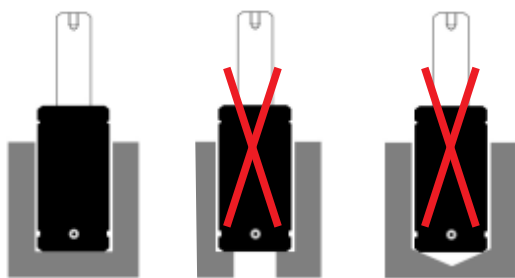
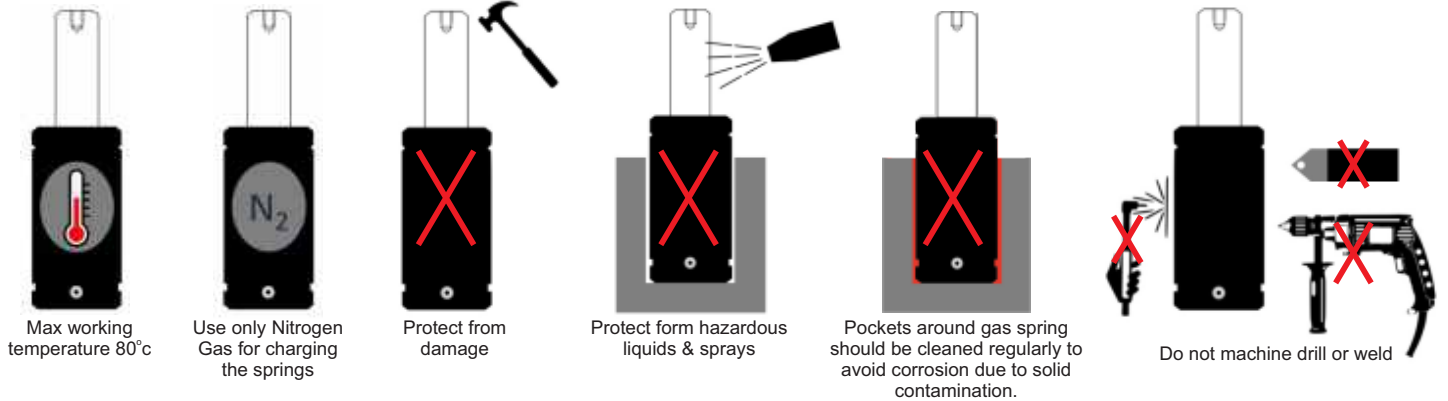
Gas Spring



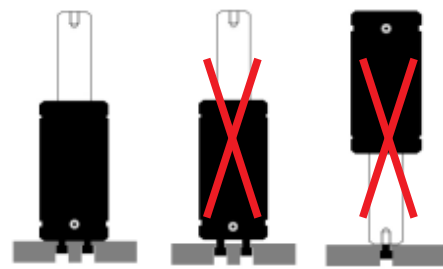
SERIES	DESCRIPTION	MODEL	STROKE LENGTH	INITIAL FORCE	Piston Diameter	Cylinder Diameter	Photo
NFS-S1	Rod sealed, high force, most compact gas spring available.	NFS-S1-0170	7 - 125	170	11	19	
		NFS-S1-0320	7 - 125	320	15	25	
		NFS-S1-0350	10 - 125	350	16	32	
		NFS-S1-0500	10 - 125	500	20	38	
		NFS-S1-0750	10 - 125	750	25	45	
		NFS-S1-1000	13 - 125	1000	28	50	
		NFS-S1-1500	13 - 125	1500	36	63	
		NFS-S1-2400	16 - 125	2400	45	75	
		NFS-S1-4200	16 - 125	4200	60	95	
		NFS-S1-6600	16 - 125	6600	75	120	
NFS-S2	Extended version of the NFS-S1, with a G1/8 port and deeper tapped holes in the base.	NFS-S2-0350	10 - 125	360	16	32	
		NFS-S2-0500	10 - 125	500	20	38	
		NFS-S2-0750	13 - 125	750	25	45	
		NFS-S2-1000	10 - 125	1000	28	50	
		NFS-S2-1500	10 - 125	1500	36	63	
		NFS-S2-2400	10 - 125	2400	45	75	
		NFS-S2-4200	16 - 125	4200	60	95	
		NFS-S2-6600	16 - 125	6600	75	120	
NFS-S3	Range of this series lies between NFS-S1 and NFS-S4 series for length.	NFS-S3-0300	10 - 125	300	16	38	
		NFS-S3-0500	10 - 125	500	20	45	
		NFS-S3-0750	10 - 125	750	25	50	
		NFS-S3-1500	10 - 200	1500	36	75	
		NFS-S3-3000	10 - 200	3000	50	95	
		NFS-S3-5000	10 - 200	5000	65	120	

SERIES	DESCRIPTION	MODEL	STROKE LENGTHS	INITIAL FORCE	Piston Diameter	Cylinder Diameter	Photo		
NFS-S4 NFS-S4-B	Optimum design for gas spring durability conforming to ISO 11901 standard.	NFS-S4-0250	10 - 125	250	14	38			
		NFS-S4-0500	10 - 160	500	20	45			
		NFS-S4-0750	13 - 300	750	25	50			
		NFS-S4-1500	13 - 300	1500	36	75			
		NFS-S4-3000	13 - 300	3000	50	95			
		NFS-S4-5000	25 - 300	5000	65	120			
		NFS-S4-7500	25 - 300	7500	80	150			
		NFS-S4-10000	25 - 300	10000	95	195			
	NFS-S4-B Combines the power of the NFS-S1 range with standard size of the NFS-S4-B range	NFS-S4-B-1000	13 - 300	1000	28	50			
		NFS-S4-B-2400	25 - 300	2400	45	75			
		NFS-S4-B-4200	25 - 300	4200	60	95			
		NFS-S4-B-6600	25 - 300	6600	75	120			
		NFS-S4-B-9500	25 - 300	9500	90	150			
	NFS-S5	Ultra high force compact bore sealed gas spring.	NFS-S5-0042	6 - 50	420	12		24.9	
			NFS-S5-007	6 - 50	700	20		32	
NFS-S5-010			6 - 50	1000	20	38			
NFS-S5-018			6 - 50	1800	30	50			
NFS-S5-029			10 - 50	2900	38	63.2			
NFS-S5-047			10 - 50	4700	50	75			
NFS-S5-075			10 - 50	7500	65	95			
NFS-S5-118			10 - 50	11800	80	120			

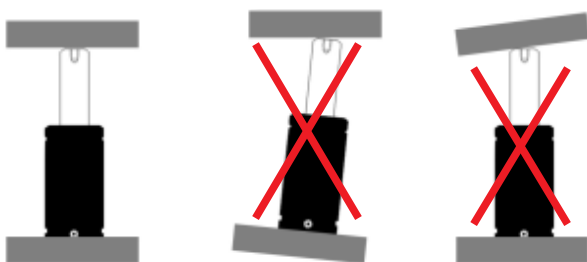
▶ Gas Spring - Safety Guidelines



Mount the gas spring on perfect flat surface. Mounting gas spring on uneven surface can cause side loading, leading to structural damage.



Mount the gas spring on perfect flat surface. Ensure the bolts are tight and spring cannot move during use. Do not use piston hole taping for mounting the spring, it is only for maintenance purpose



Mount the gas spring between two perfectly parallel surface to ensure maximum life. Mounting gas spring in non parallel surfaces could lead to significant decrease in life.



The given stroke in catalog may be utilised fully. Though, it is strongly recommended that a minimum of 5 mm or 10% of the allowable stroke should not be used. This is to prevent over stroking.

Note :

- Maximum charge pressure in the gas spring should not be more than the specified limit
- While refiling, the gas spring should be completely discharged so as to avoid damage
- Maximum piston velocity is 1.6 m/sec.
- Use N-Force gas spring as it is, do not cut the piston or the cylinder
- With gas spring fully charged at high pressure gas, not following the above mentioned user guide may lead to accident, product damage, reduction in life, etc. Before using the gas spring, make sure to completely understand the user manual.

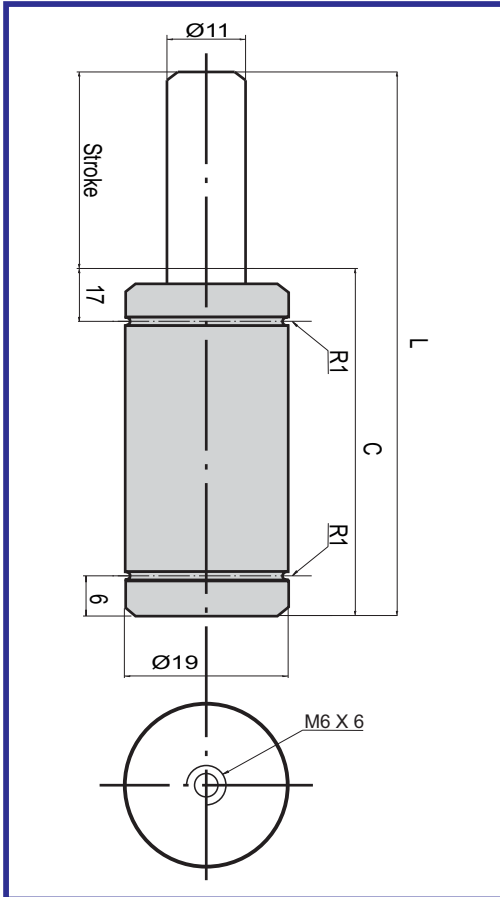
Order Example : Code - Stroke

NFS - S1 - 750 - 50

Code

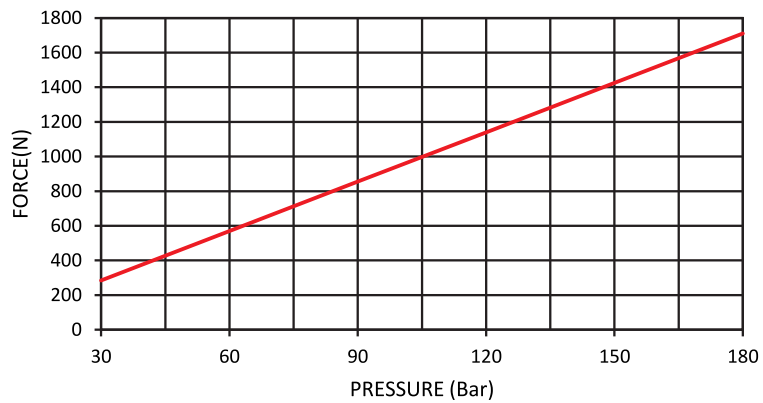
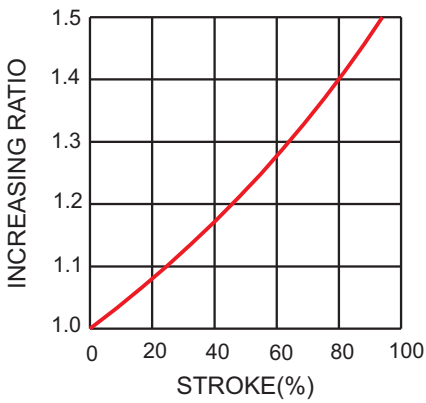
Stroke

▶ Gas Spring - NFS-S1-170 Series



Code	Stroke mm	L mm (± 0.2)	C mm (-0.2)	Initial Kg (N)	End Force Kg (N)
NFS-S1-170	7	44	37	173 (1700)	286(2800)
	10	50	40		
	15	60	45		
	19	68	49		
	25	80	55		
	38	106	68		
	50	130	80		
	63	156	93		
	75	185	110		
	80	195	115		
	100	235	135		
	125	285	160		

▶ Charging Pressure / Force Increase Factor



▶ Gas Spring Mountings



19 - BTCA
Ref Page No.96

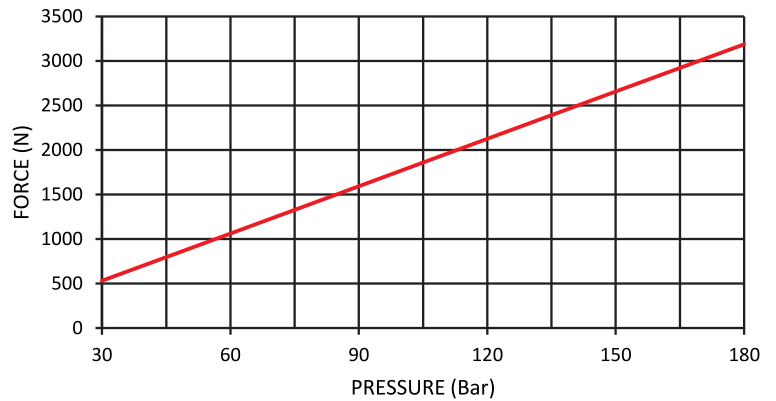
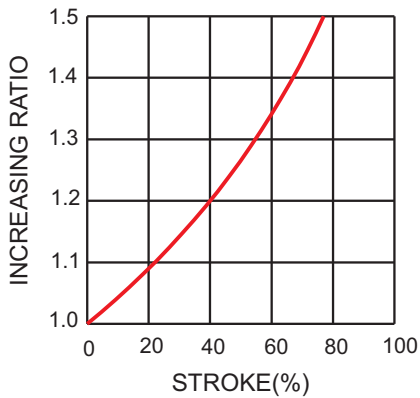


19 - TPC(A/B)
Ref Page No.96

▶ Gas Spring - NFS-S1-320 Series

Code	Stroke mm	L mm (± 0.2)	C mm (-0.2)	Initial Kg (N)	End Force Kg (N)
NFS-S1-320	07	44	37	326 (3200)	489(4800)
	10	50	40		500(4900)
	15	60	45		520(5100)
	19	68	49		530(5200)
	25	80	55		540(5300)
	32	94	62		540(5300)
	38	106	68		540(5300)
	50	130	80		540(5300)
	63	156	93		540(5300)
	75	185	110		540(5300)
	80	195	115		540(5300)
	100	235	135		540(5300)
	125	285	160		540(5300)

▶ Charging Pressure / Force Increase Factor



▶ Gas Spring Mountings

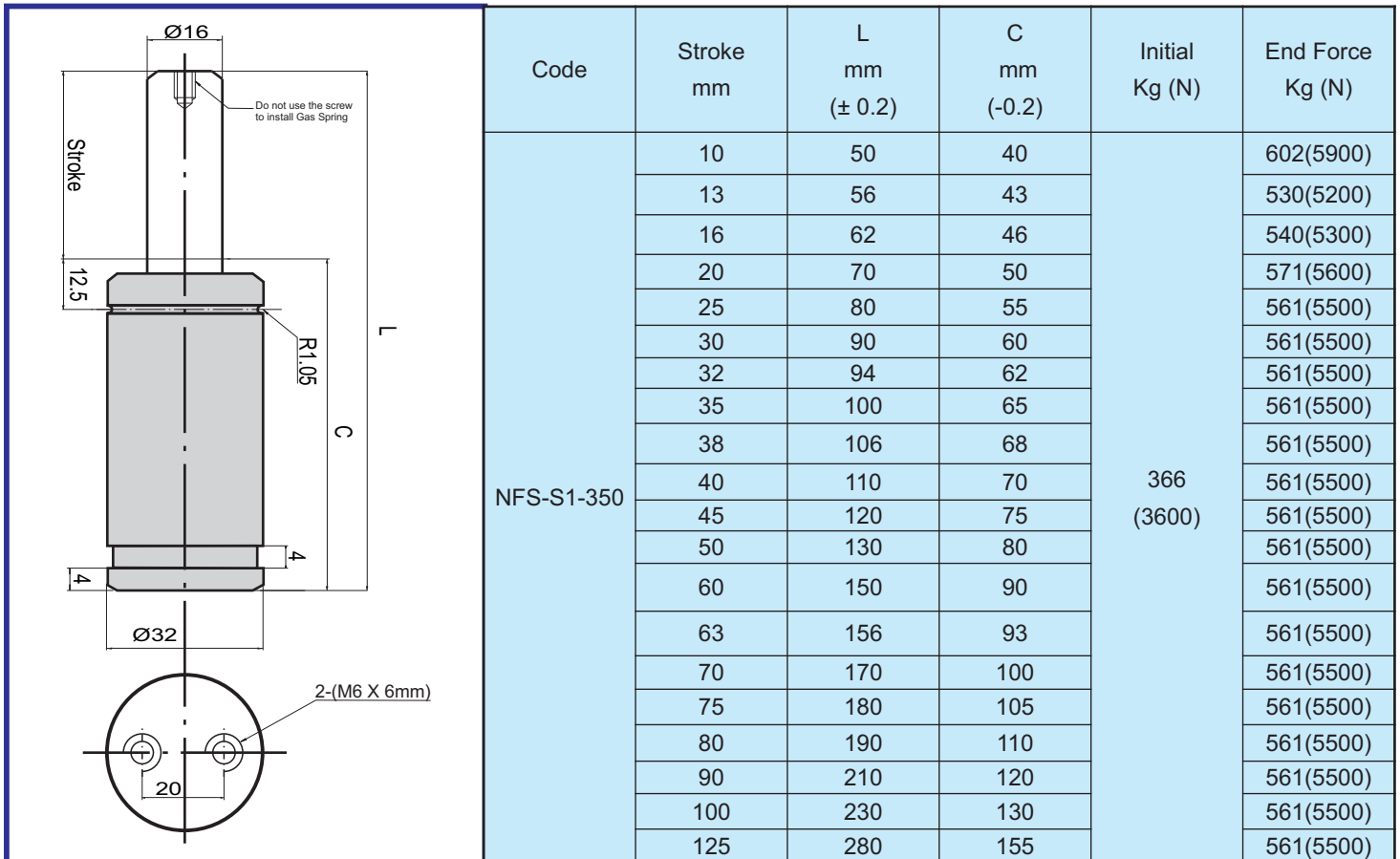


25 - BTCA
Ref Page No.96

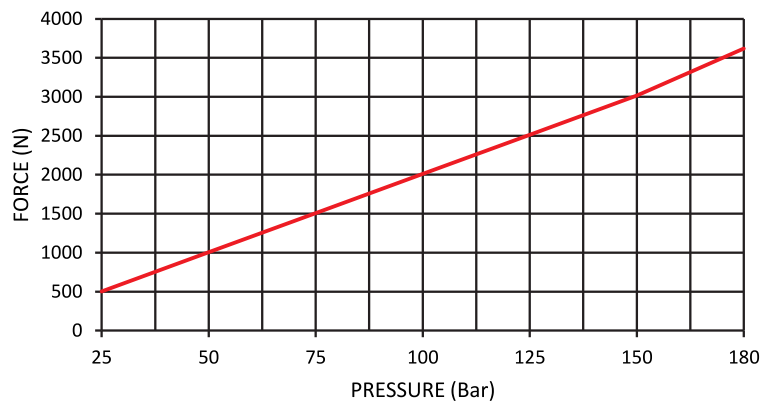
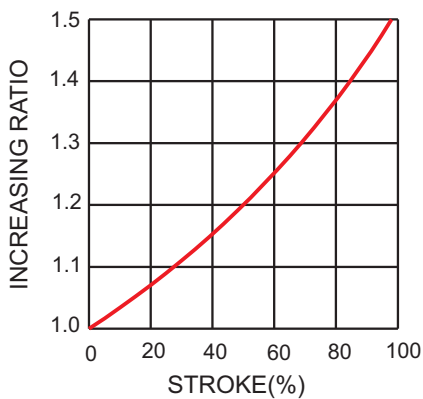


25 - TPC(A/B)
Ref Page No.96

► Gas Spring - NFS-S1-350 Series



► Charging Pressure / Force Increase Factor



► Gas Spring Mountings



32 - BTC
Ref Page No.97



32 - TPC
Ref Page No.99



32 - STPC
Ref Page No.98

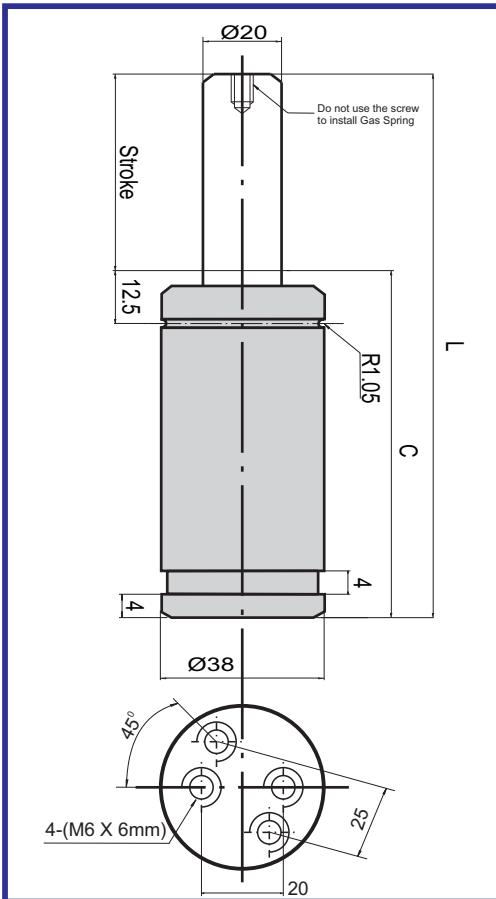


32 - FLC
Ref Page No.99



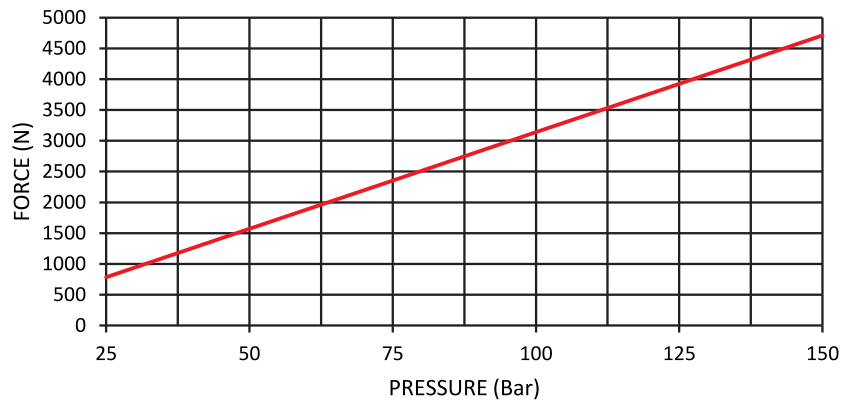
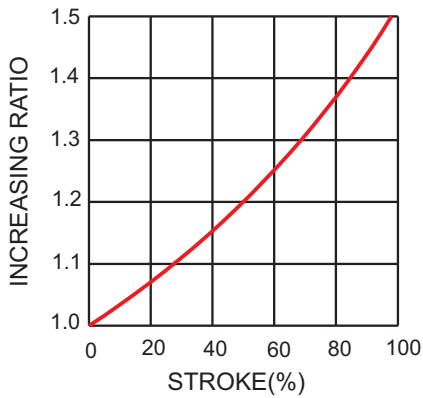
32 - FLCA
Ref Page No.100

▶ Gas Spring - NFS-S1-500 Series



Code	Stroke mm	L mm (± 0.2)	C mm (-0.2)	Initial Kg (N)	End Force Kg (N)
NFS-S1-500	10	50	40	479 (4700)	734(7200)
	13	56	43		724(7100)
	16	62	46		734(7200)
	20	70	50		755(7400)
	25	80	55		744(7300)
	30	90	60		734(7200)
	32	94	62		734(7200)
	35	100	65		734(7200)
	38	106	68		734(7200)
	40	110	70		734(7200)
	45	120	75		734(7200)
	50	130	80		734(7200)
	60	150	90		734(7200)
	63	156	93		734(7200)
	70	170	100		734(7200)
	75	180	105		734(7200)
	80	190	110		724(7100)
	90	210	120		724(7100)
100	230	130	724(7100)		
125	280	155	724(7100)		

▶ Charging Pressure / Force Increase Factor



▶ Gas Spring Mountings



38 - BTC
Ref Page No.97



38 - TPC
Ref Page No.99



38 - STPC
Ref Page No.98



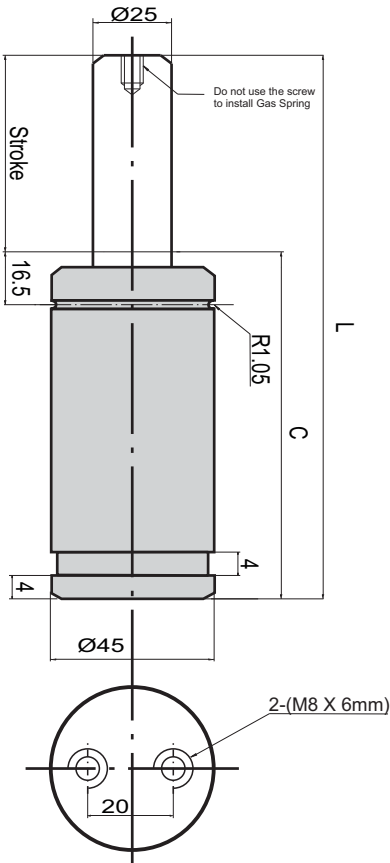
38 - FLC
Ref Page No.99



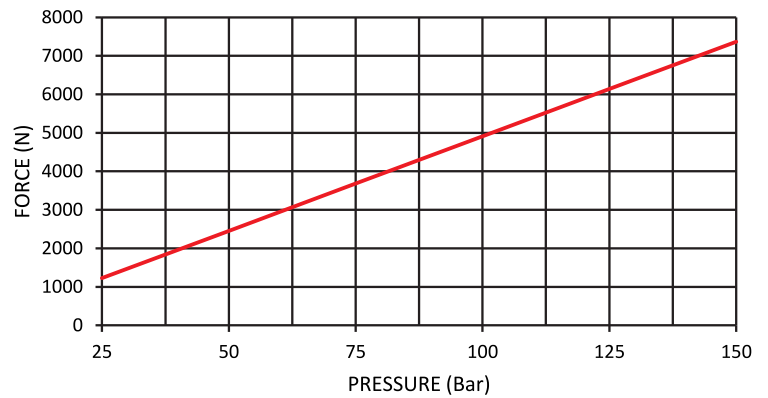
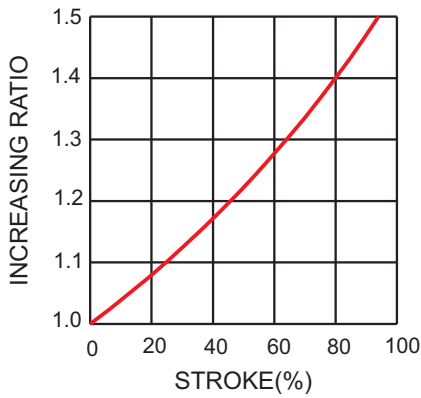
38 - FLCA
Ref Page No.100

▶ Gas Spring - NFS-S1-750 Series

Code	Stroke mm	L mm (± 0.2)	C mm (-0.2)	Initial / End Force	
				Initial Kg (N)	End Force Kg (N)
NFS-S1-750	10	52	42	755 (7400)	1234(12100)
	13	58	45		1234(12100)
	16	64	48		1234(12100)
	20	72	52		1193(11700)
	25	82	57		1203(11800)
	30	92	62		1203(11800)
	32	96	64		1203(11800)
	35	102	67		1203(11800)
	38	108	70		1203(11800)
	40	112	72		1203(11800)
	45	122	77		1203(11800)
	50	132	82		1203(11800)
	60	152	92		1203(11800)
	63	158	95		1203(11800)
	70	172	102		1203(11800)
	75	182	107		1213(11900)
	80	192	112		1213(11900)
	90	212	122		1213(11900)
100	232	132	1213(11900)		
125	282	157	1213(11900)		



▶ Charging Pressure / Force Increase Factor

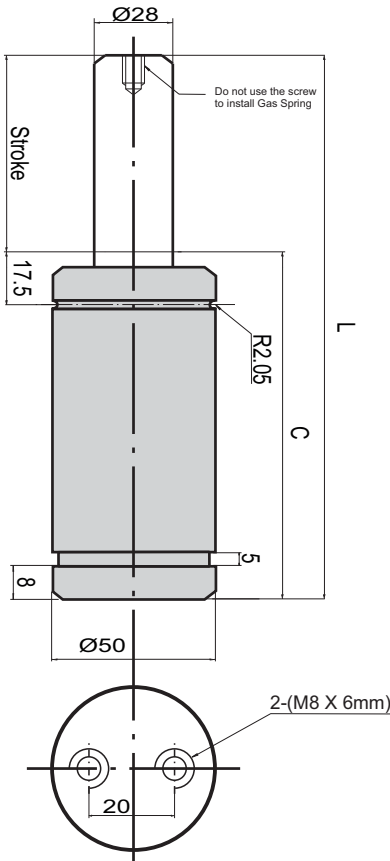


▶ Gas Spring Mountings

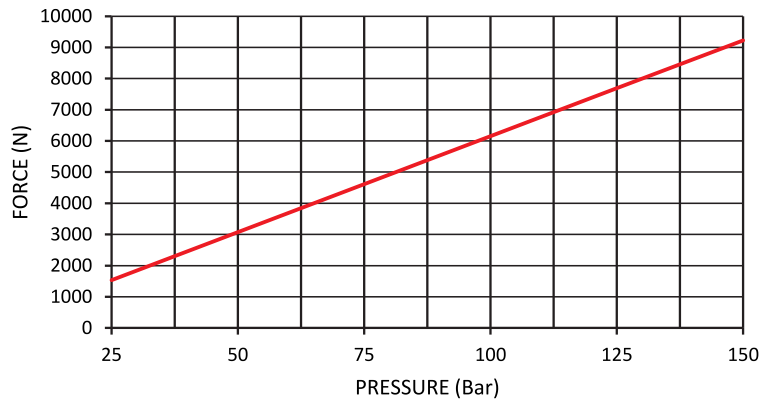
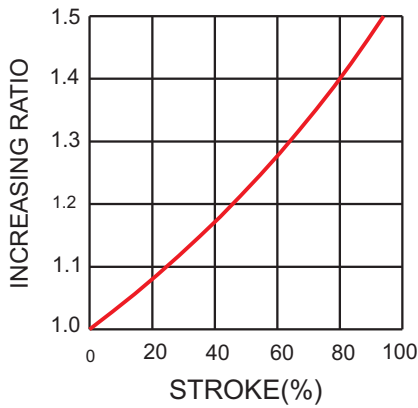


▶ Gas Spring - NFS-S1-1000 Series

Code	Stroke mm	L mm (± 0.2)	C mm (-0.2)	Initial Kg (N)	End Force Kg (N)
NFS-S1-1000	13	64	51	938 (9200)	1407(13800)
	16	70	54		1407(13800)
	20	78	58		1428(14000)
	25	88	63		1448(14200)
	30	98	68		1458(14300)
	32	102	70		1479(14500)
	35	108	73		1489(14600)
	38	114	76		1499(14700)
	40	118	78		1499(14700)
	45	128	83		1499(14700)
	50	138	88		1499(14700)
	60	158	98		1499(14700)
	63	164	101		1499(14700)
	70	178	108		1499(14700)
	75	188	113		1499(14700)
	80	198	118		1509(14800)
90	218	128	1509(14800)		
100	238	138	1509(14800)		
125	288	163	1509(14800)		



▶ Charging Pressure / Force Increase Factor



▶ Gas Spring Mountings



50 - BTC
Ref Page No.97

50 - BSP(A/B)
Ref Page No.97

50 - TPC
Ref Page No.99

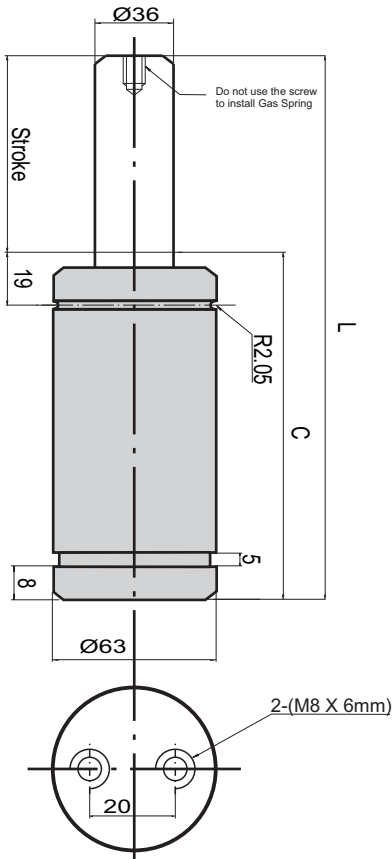
50 - STPC
Ref Page No.98

50 - FLC
Ref Page No.99

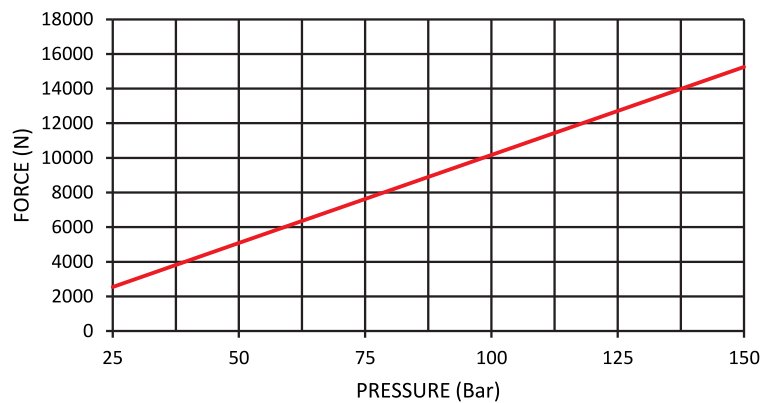
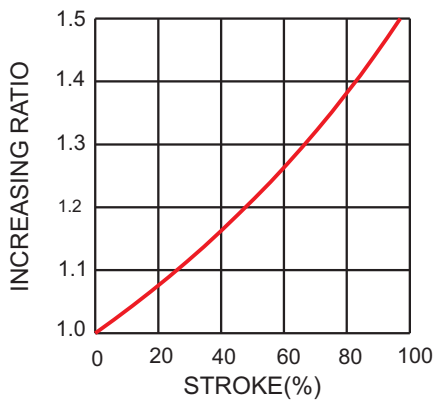
50 - FLCA
Ref Page No.100

▶ Gas Spring - NFS-S1-1500 Series

Code	Stroke mm	L mm (± 0.2)	C mm (-0.2)	Initial Kg (N)	End Force Kg (N)
	13	70	57	1530 (15000)	2447(24005)
	16	76	60		2458(24113)
	20	84	64		2468(24211)
	25	94	69		2478(24309)
	30	104	74		2427(23809)
	32	108	76		2437(23907)
	35	114	79		2447(24005)
	38	120	82		2447(24005)
	40	124	84		2447(24005)
	45	134	89		2447(24005)
	50	144	94		2447(24005)
	60	164	104		2447(24005)
	63	170	107		2447(24005)
	70	184	114		2447(24005)
	75	194	119		2447(24005)
	80	204	124		2447(24005)
	90	224	134		2447(24005)
	100	244	144		2478(24309)
	125	294	169		2478(24309)



▶ Charging Pressure / Force Increase Factor



▶ Gas Spring Mountings



63 - BTC
Ref Page No.97



63 - BSP(A/B)
Ref Page No.97



63 - TPC
Ref Page No.99



63 - STPC
Ref Page No.98

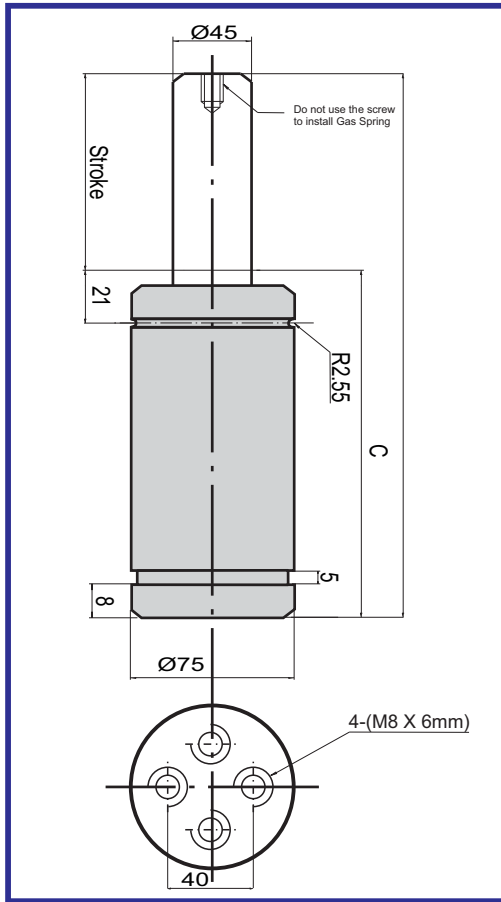


63 - FLC
Ref Page No.99



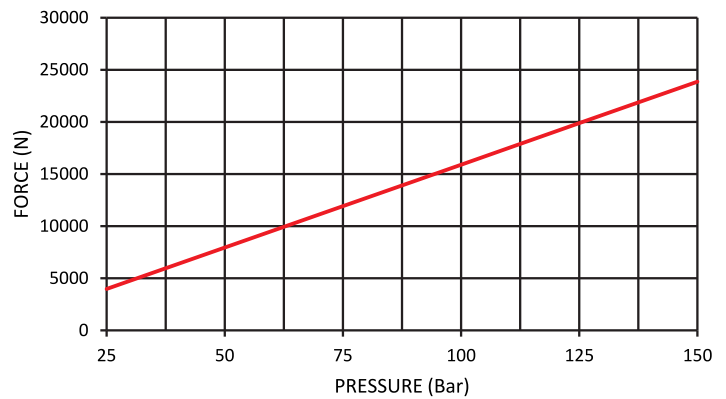
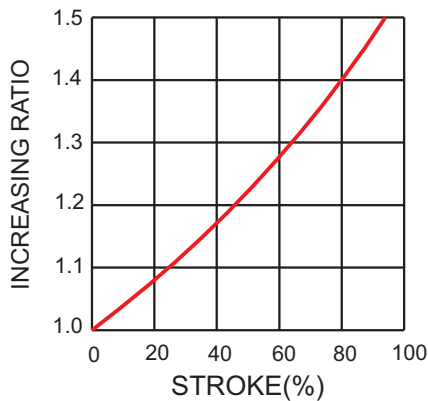
63 - FLCA
Ref Page No.100

▶ Gas Spring - NFS-S1-2400 Series



Code	Stroke mm	L mm (± 0.2)	C mm (-0.2)	Initial Kg (N)	End Force Kg (N)
NFS-S1-2400	16	77	61	2447 (24000)	3906(38318)
	20	85	65		3926(38514)
	25	95	70		3946(38710)
	30	105	75		3936(38612)
	32	109	77		3916(38416)
	35	115	80		3997(39211)
	38	121	83		3997(39211)
	40	125	85		3997(39211)
	45	135	90		3997(39211)
	50	145	95		3997(39211)
	60	165	105		3997(39211)
	63	171	108		3997(39211)
	70	185	115		3997(39211)
	75	195	120		3997(39211)
	80	205	125		3997(39211)
	90	225	135		3997(39211)
100	245	145	4007(39309)		
125	295	170	4007(39309)		

▶ Charging Pressure / Force Increase Factor



▶ Gas Spring Mountings



75 - BTC
Ref Page No.97



75 - BSP(A/B)
Ref Page No.97



75 - TPC
Ref Page No.99



75 - STPC
Ref Page No.98



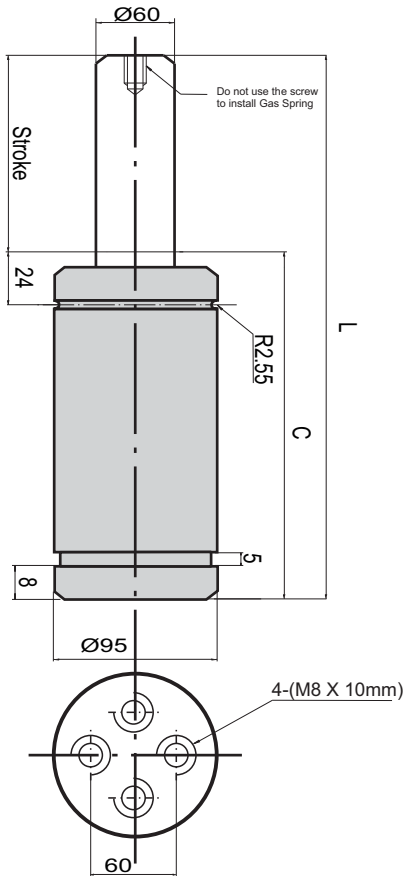
75 - FLC
Ref Page No.99



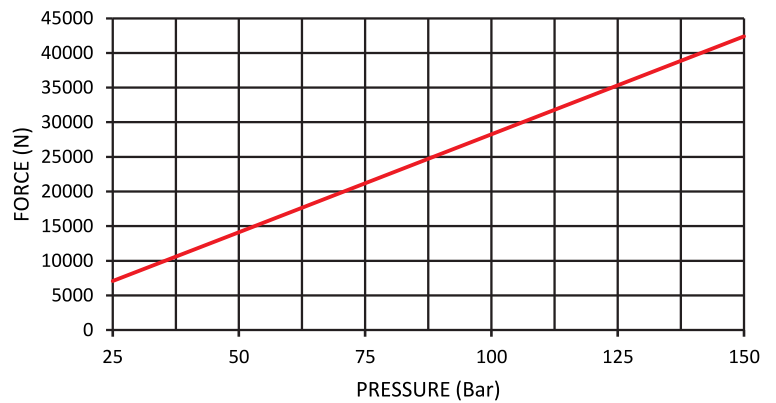
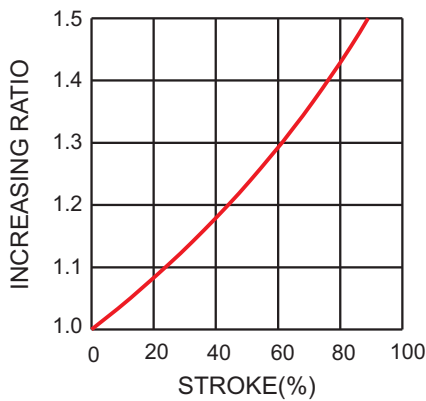
75 - FLCA
Ref Page No.100

▶ Gas Spring - NFS-S1-4200 Series

Code	Stroke mm	L mm (± 0.2)	C mm (-0.2)	Initial Force	
				Kg	(N)
NFS-S1-4200	16	90	74	4283 (42000)	6292(61725)
	20	98	78		6496(63726)
	25	108	83		6200(60822)
	30	118	88		6557(64324)
	32	122	90		6710(65825)
	35	128	93		6832(67022)
	38	134	96		6914(67826)
	40	138	98		6934(68023)
	45	148	103		6995(68621)
	50	158	108		6995(68621)
	60	178	118		6995(68621)
	63	184	121		6995(68621)
	70	198	128		6995(68621)
	75	208	133		6995(68621)
	80	218	138		6995(68621)
	90	238	148		6995(68621)
	100	258	158		7046(69121)
125	308	183	7097(69622)		



▶ Charging Pressure / Force Increase Factor



▶ Gas Spring Mountings



95 - BTC
Ref Page No.97

95 - BSP(A/B)
Ref Page No.97

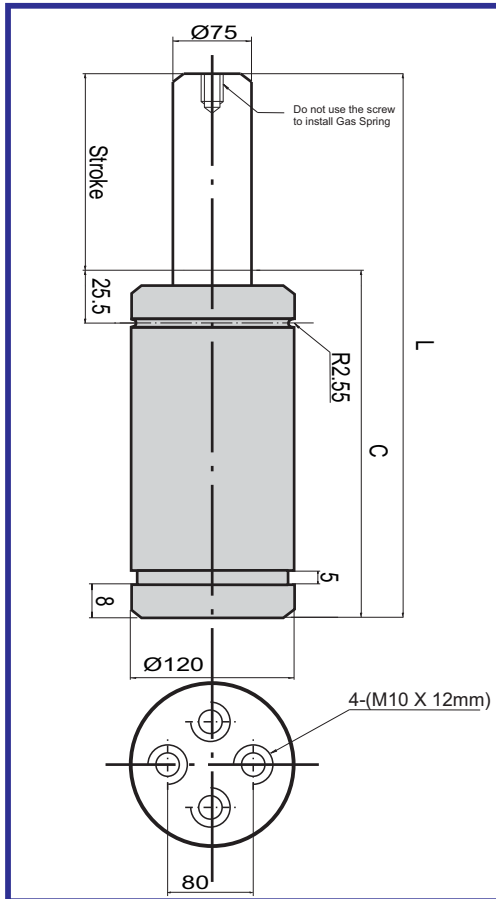
95 - TPC
Ref Page No.99

95 - STPC
Ref Page No.98

95 - FLC
Ref Page No.99

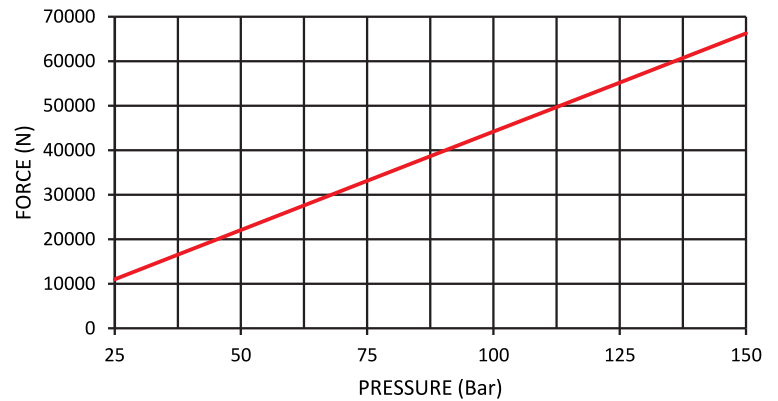
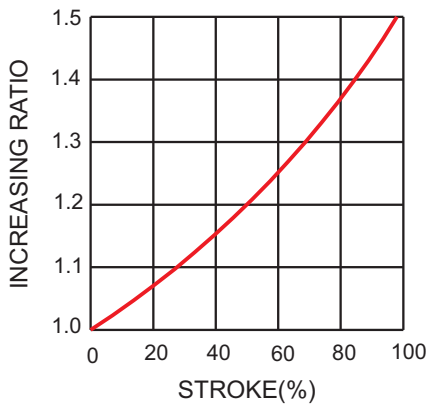
95 - FLCA
Ref Page No.100

► Gas Spring - NFS-S1-6600 Series



Code	Stroke mm	L mm (-0.2)	C mm (-0.2)	Initial Kg (N)	End Force Kg (N)
NFS-S1-6600	16	100	84	6730(66000)	9076(89036)
	20	108	88		9276(90998)
	25	118	93		9575(93931)
	30	128	98		9575(93931)
	32	132	100		9575(93931)
	35	138	103		9800(96138)
	38	144	106		9800(96138)
	40	148	108		9800(96138)
	45	158	113		10014(98237)
	50	168	118		10258(100631)
	60	188	128		10258(100631)
	63	194	131		10442(102436)
	70	208	138		10442(102436)
	75	218	143		10544(103437)
	80	228	148		10615(104133)
	90	248	158		10615(104133)
100	268	168	10748(105438)		
125	318	193	10860(106537)		

► Charging Pressure / Force Increase Factor



► Gas Spring Mountings



120 - BTC
Ref Page No.97

120 - BSP(A/B)
Ref Page No.97

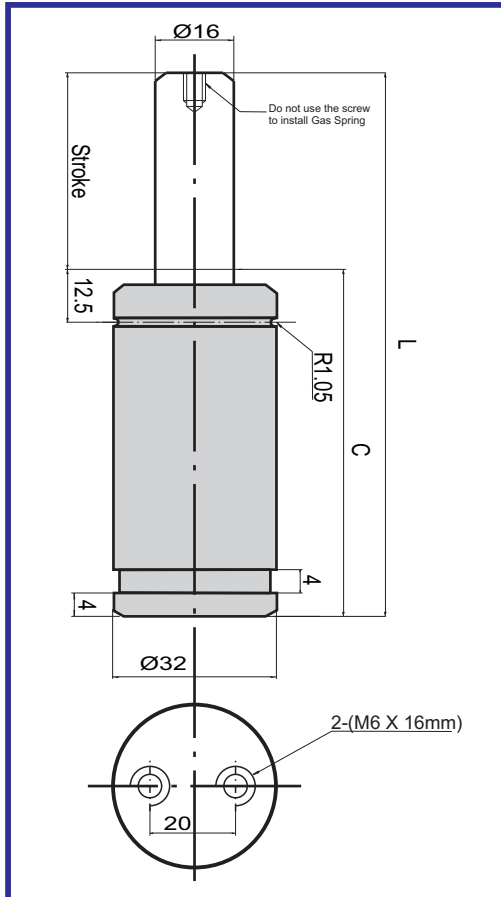
120 - TPC
Ref Page No.99

120 - STPC
Ref Page No.98

120 - FLC
Ref Page No.99

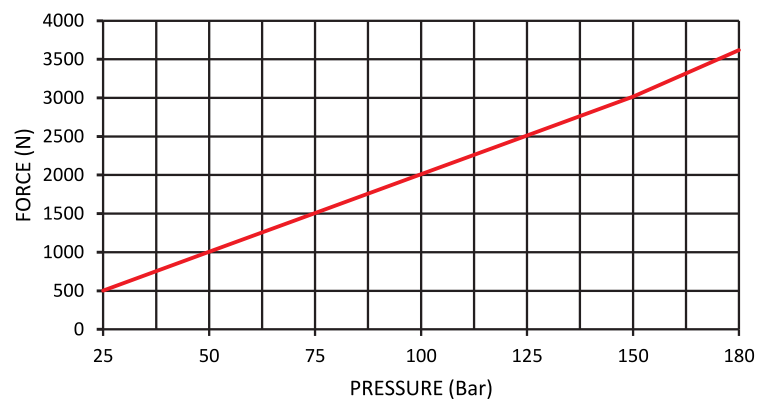
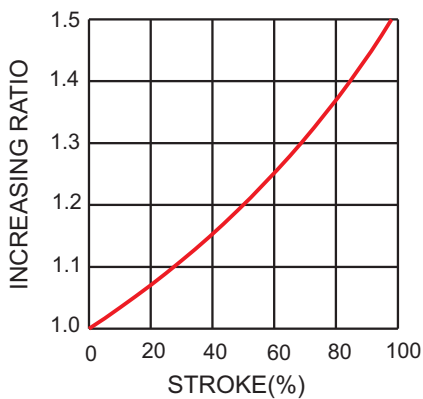
120 - FLCA
Ref Page No.100

▶ Gas Spring - NFS-S2-350 Series



Code	Stroke mm	L mm (± 0.25)	C mm (-0.2)	Initial Kg (N)	End Force Kg (N)
NFS-S2-350	10	60	50	367 (3600)	602(5900)
	13	66	53		531(5200)
	16	72	56		541(5300)
	20	80	60		571(5600)
	25	90	65		561(5500)
	32	104	72		561(5500)
	38	116	78		561(5500)
	50	140	90		571(5600)
	63	166	103		561(5500)
	75	190	115		561(5500)
	80	200	120		561(5500)
	100	240	140		561(5500)
	125	290	165		561(5500)

▶ Charging Pressure / Force Increase Factor



▶ Gas Spring Mountings



32 - BTC
Ref Page No.97



32 - TPC
Ref Page No.99



32 - STPC
Ref Page No.98



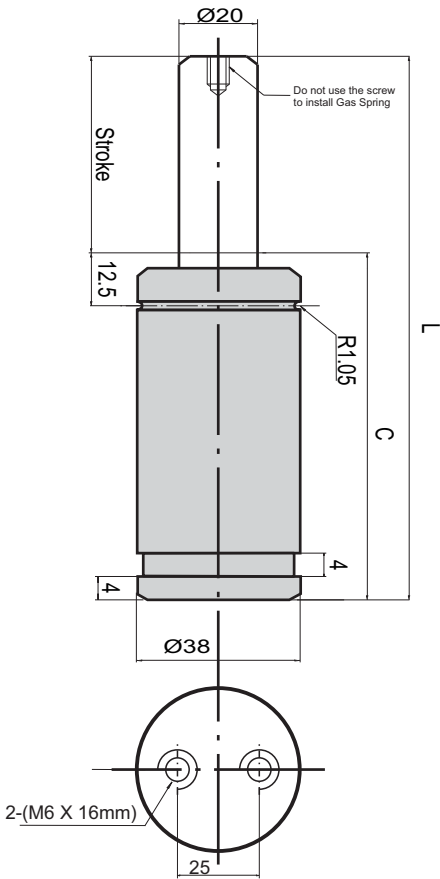
32 - FLC
Ref Page No.99



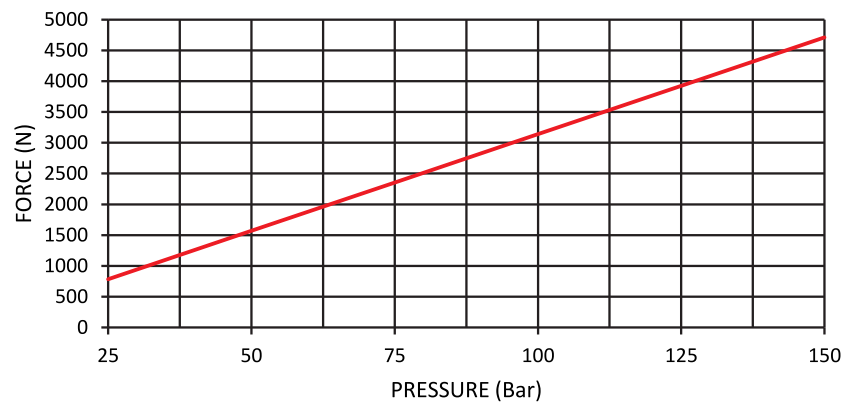
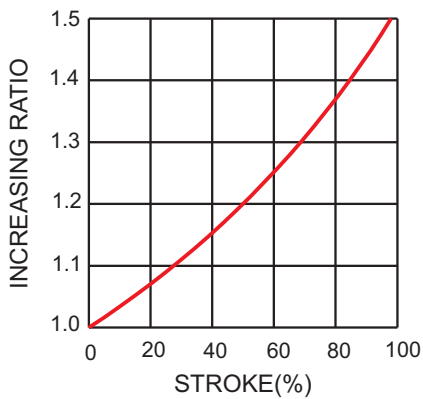
32 - FLCA
Ref Page No.100

► Gas Spring - NFS-S2-500 Series

Code	Stroke	L	C	Initial	End Force
	mm	mm (± 0.25)	mm (-0.2)	Kg (N)	Kg (N)
NFS-S2-500	10	60	50	479 (4700)	735(7200)
	13	66	53		724(7100)
	16	72	56		735(7200)
	20	80	60		755(7400)
	25	90	65		745(7300)
	32	104	72		735(7200)
	38	116	78		735(7200)
	50	140	90		735(7200)
	63	166	103		735(7200)
	75	190	115		724(7100)
	80	200	120		724(7100)
	100	240	140		724(7100)
	125	290	165		724(7100)



► Charging Pressure / Force Increase Factor



► Gas Spring Mountings



38 - BTC
Ref Page No.97



38 - TPC
Ref Page No.99



38 - STPC
Ref Page No.98



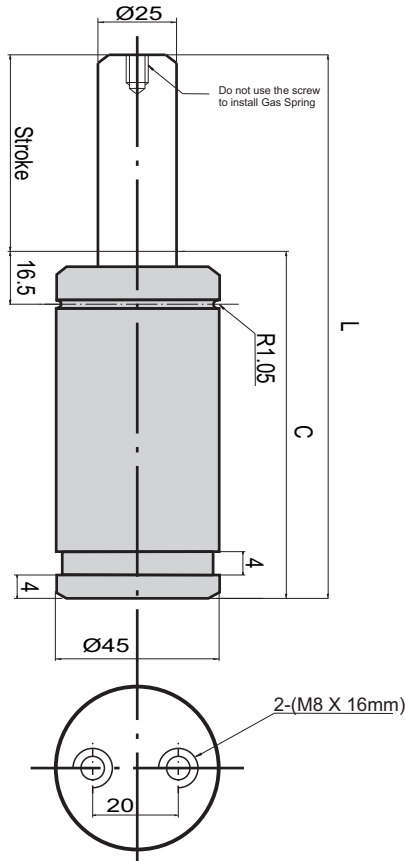
38 - FLC
Ref Page No.99



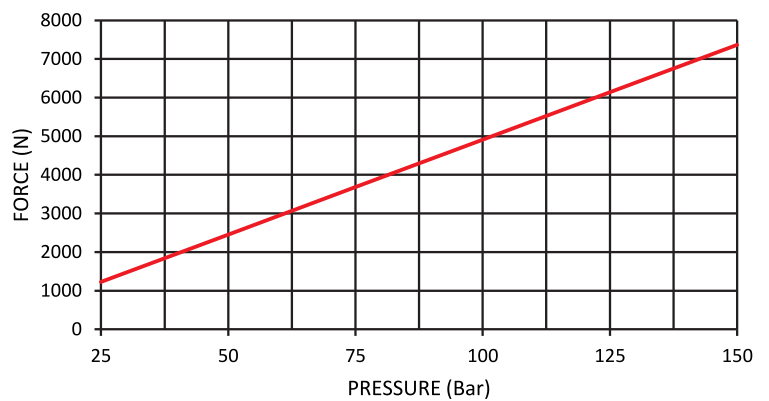
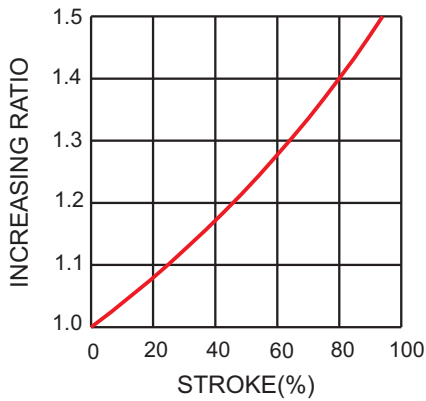
38 - FLCA
Ref Page No.100

► Gas Spring - NFS-S2-750 Series

Code	Stroke mm	L mm (± 0.25)	C mm (-0.2)	Initial Kg (N)	End Force Kg (N)
	13	73	60	755 (7400)	1235(12100)
	16	79	63		1235(12100)
	20	87	67		1194(11700)
	25	97	72		1204(11800)
	32	111	79		1204(11800)
	38	123	85		1204(11800)
	50	147	97		1204(11800)
	63	173	110		1204(11800)
	75	197	122		1214(11900)
	80	207	127		1214(11900)
	100	247	147		1214(11900)
	125	297	172		1214(11900)



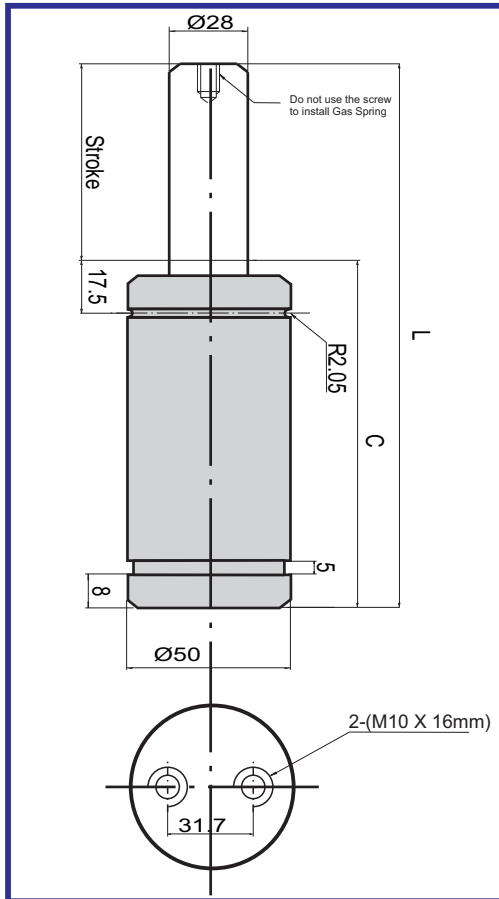
► Charging Pressure / Force Increase Factor



► Gas Spring Mountings

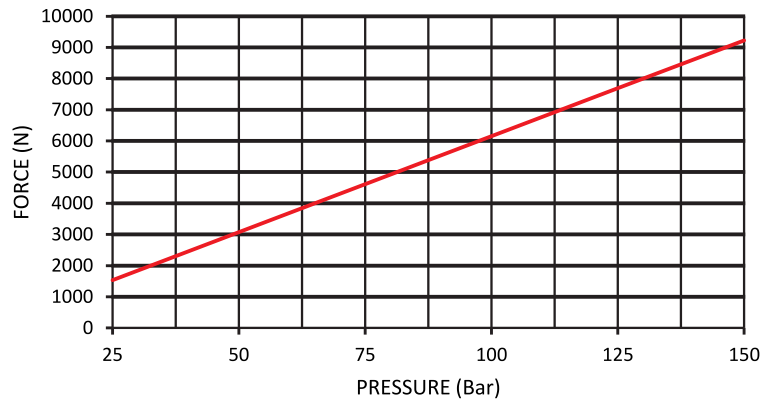
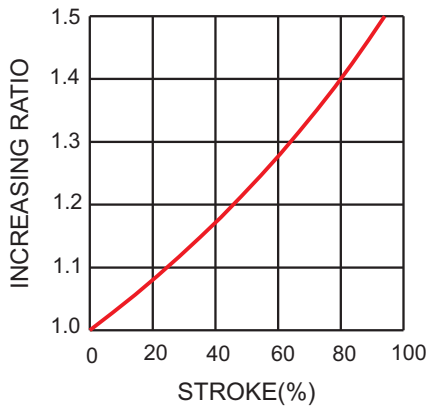


► Gas Spring - NFS-S2-1000 Series



Code	Stroke mm	L mm (± 0.25)	C mm (-0.2)	Initial Kg (N)	End Force Kg (N)
NFS-S2-1000	10	72	62	938 (9200)	1378(13500)
	13	78	65		1408(13800)
	16	84	68		1408(13800)
	20	92	72		1429(14000)
	25	102	77		1429(14200)
	32	116	84		1459(14300)
	38	128	90		1480(14500)
	50	152	102		1490(14600)
	63	178	115		1500(14700)
	75	202	127		1500(14700)
	80	212	132		1510(14800)
	100	252	152		1510(14800)
	125	302	177		1510(14800)

► Charging Pressure / Force Increase Factor



► Gas Spring Mountings



50 - BTC
Ref Page No.97



50 - BSP(A/B)-S2
Ref Page No.97



50 - TPC
Ref Page No.99



50 - STPC
Ref Page No.98



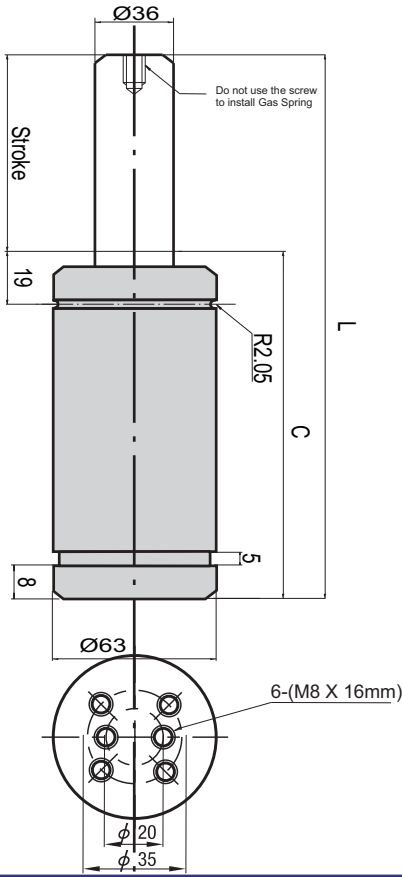
50 - FLC
Ref Page No.99



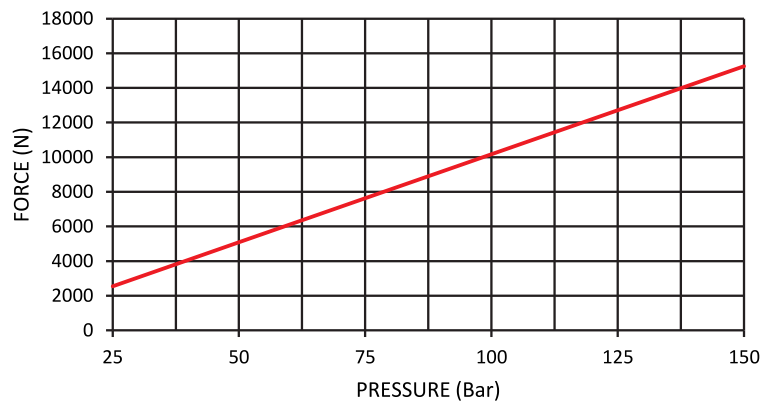
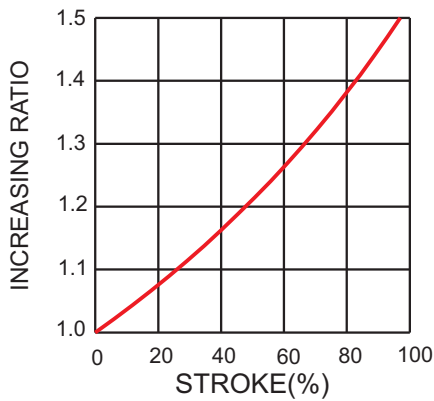
50 - FLCA
Ref Page No.100

▶ Gas Spring - NFS-S2-1500 Series

Code	Stroke mm	L mm (± 0.25)	C mm (-0.2)	Initial	
				Initial Kg (N)	End Force Kg (N)
NFS-S2-1500	10	72	62	1559 (15300)	2418(23700)
	13	78	65		2449(24000)
	16	84	68		2459(24100)
	20	92	72		2469(24200)
	25	102	77		2480(24300)
	32	116	84		2429(23800)
	38	128	90		2439(23900)
	50	152	102		2449(24000)
	63	178	115		2459(24100)
	75	202	127		2469(24200)
	80	212	132		2469(24200)
	100	252	152		2480(24300)
	125	302	177		2480(24300)



▶ Charging Pressure / Force Increase Factor



▶ Gas Spring Mountings



63 - BTC
Ref Page No.97

63 - BSP(A/B)
Ref Page No.97

63 - TPC
Ref Page No.99

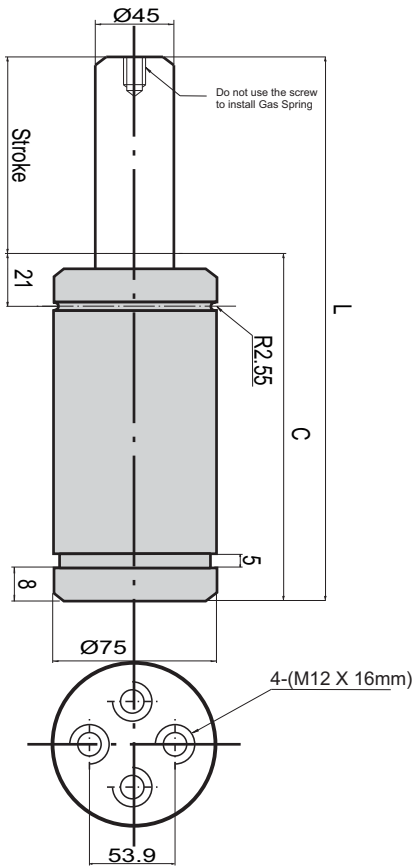
63 - STPC
Ref Page No.98

63 - FLC
Ref Page No.99

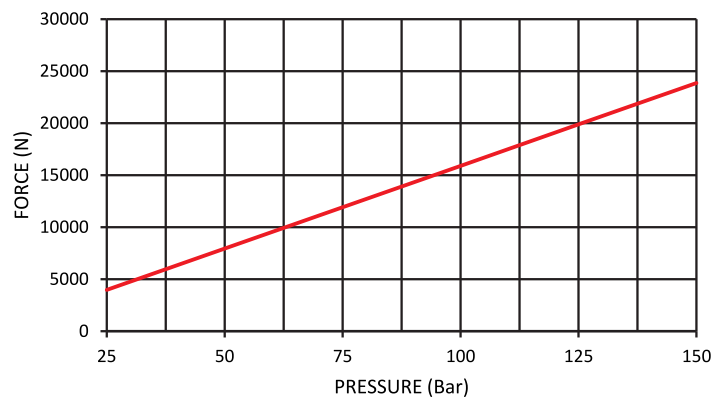
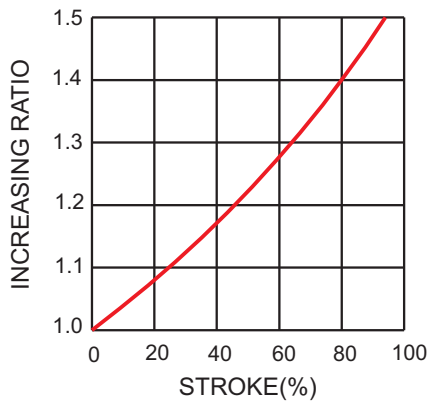
63 - FLCA
Ref Page No.100

▶ Gas Spring - NFS-S2-2400 Series

Code	Stroke mm	L mm (± 0.25)	C mm (-0.2)	Initial	
				Kg (N)	End Force Kg (N)
NFS-S2- 2400	10	79	69	2431 (23850)	3888(38100)
	13	85	72		3898(38200)
	16	91	75		3908(38300)
	20	99	79		3929(38500)
	25	109	84		3949(38700)
	32	123	91		3939(38600)
	38	135	97		3918(38400)
	50	159	109		4000(39200)
	63	185	122		4000(39200)
	75	209	134		4000(39200)
	80	219	139		4000(39200)
	100	259	159		4010(39300)
	125	309	184		4010(39300)



▶ Charging Pressure / Force Increase Factor



▶ Gas Spring Mountings



75 - BTC
Ref Page No.97

75 - BSP(A/B)-S2
Ref Page No.97

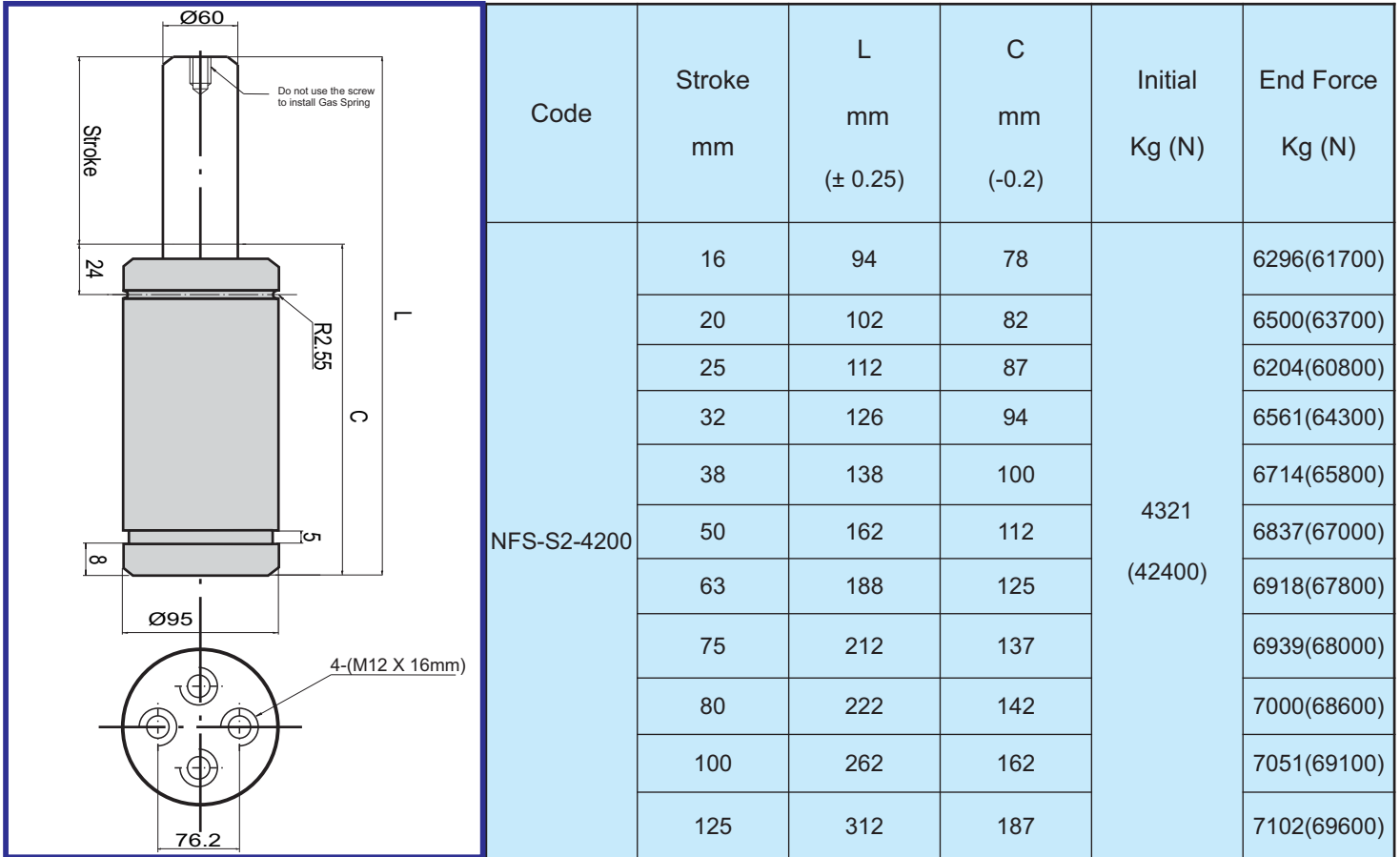
75 - TPC
Ref Page No.99

75 - STPC
Ref Page No.98

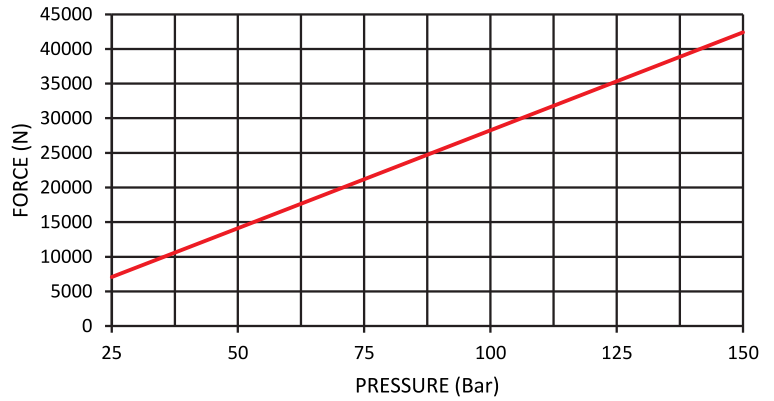
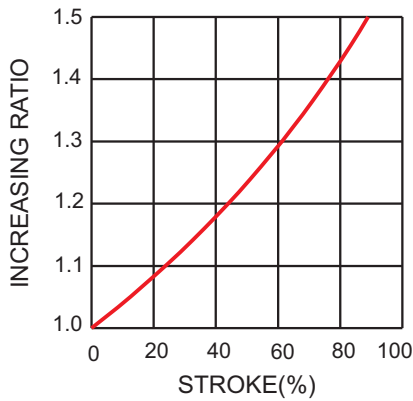
75 - FLC
Ref Page No.99

75 - FLCA
Ref Page No.100

▶ Gas Spring - NFS-S2-4200 Series



▶ Charging Pressure / Force Increase Factor



▶ Gas Spring Mountings



95 - BTC
Ref Page No.97



95 - BSP(A/B)-S2
Ref Page No.97



95 - TPC
Ref Page No.99



95 - STPC
Ref Page No.98

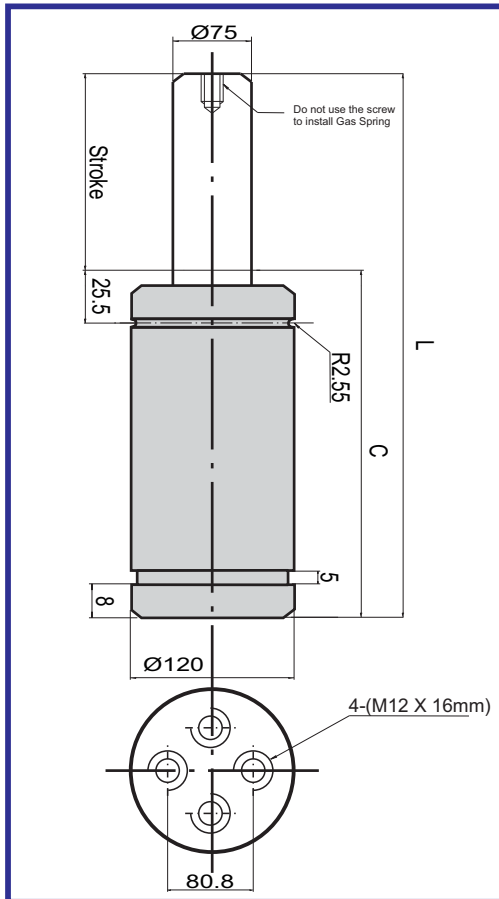


95 - FLC
Ref Page No.99



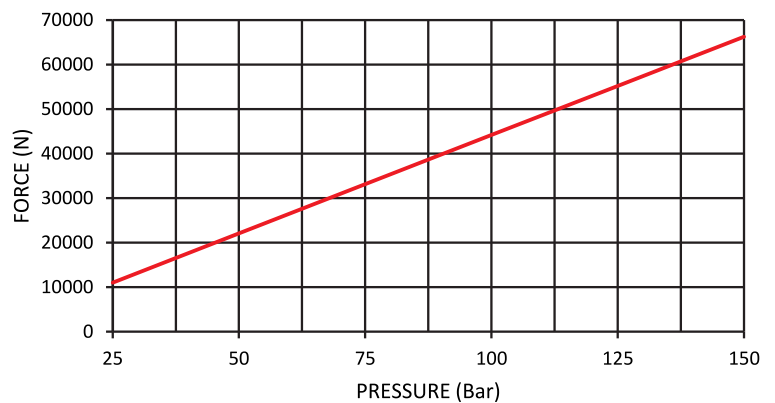
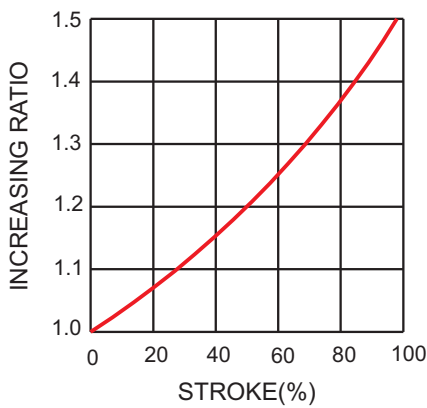
95 - FLCA
Ref Page No.100

▶ Gas Spring - NFS-S2-6600 Series



Code	Stroke mm	L mm (± 0.25)	C mm (-0.2)	Initial Kg (N)	End Force Kg (N)
NFS-S2-6600	16	104	88	6761 (66300)	9082(89000)
	20	112	92		9286(91000)
	25	122	97		9582(93900)
	32	136	104		9806(96100)
	38	148	110		10020(98200)
	50	172	122		10265(100600)
	63	198	135		10449(102400)
	75	222	147		10551(103400)
	80	232	152		10622(104100)
	100	272	172		10755(105400)
	125	322	197		10867(106500)

▶ Charging Pressure / Force Increase Factor



▶ Gas Spring Mountings



120 - BTC
Ref Page No.97



120 - BSP(A/B)
Ref Page No.97



120 - TPC
Ref Page No.99



120 - STPC
Ref Page No.98

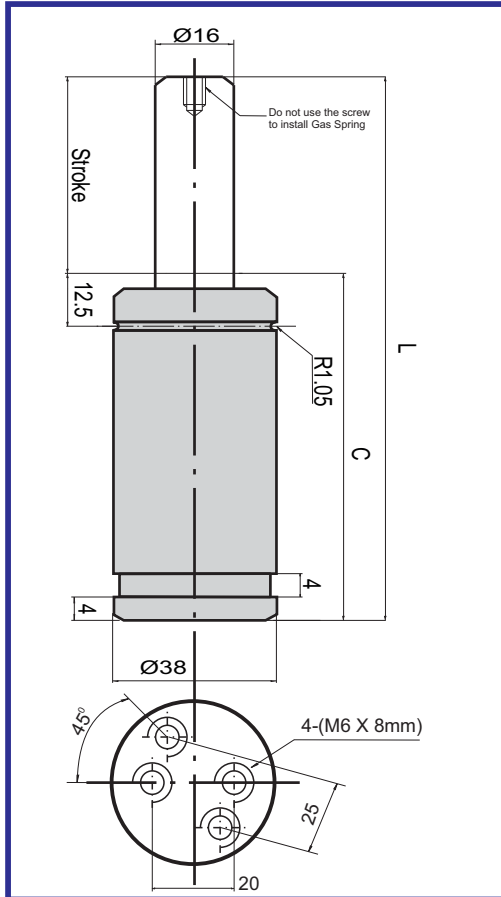


120 - FLC
Ref Page No.99



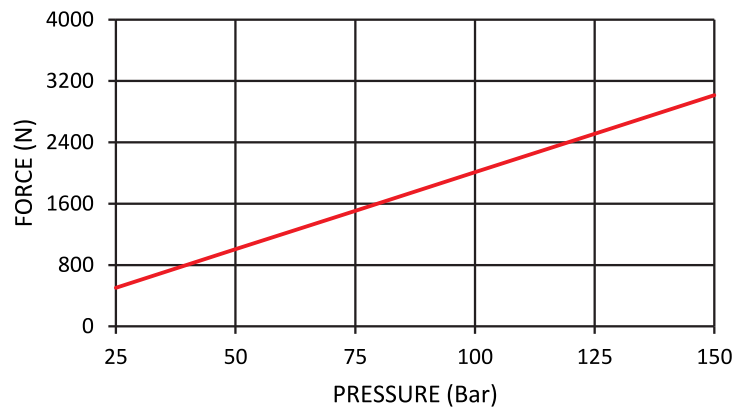
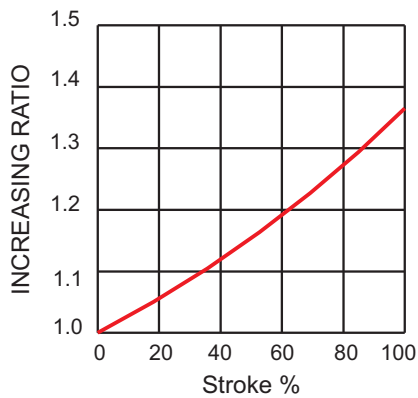
120 - FLCA
Ref Page No.100

▶ Gas Spring - NFS-S3-300 Series



Code	Stroke mm	L mm (± 0.25)	C mm (-0.2)	Initial Kg (N)	End Force Kg (N)
NFS-S3-300	10	70	60	306 (3000)	397 (3900)
	15	80	65		408 (4000)
	20	90	70		408 (4000)
	25	100	75		418 (4100)
	30	110	80		418 (4100)
	35	120	85		418 (4100)
	38	126	88		418 (4100)
	40	130	90		418 (4100)
	45	140	95		418 (4100)
	50	150	100		418 (4100)
	60	170	110		418 (4100)
	63	176	113		418 (4100)
	70	190	120		418 (4100)
	80	210	130		418 (4100)
	90	230	140		418 (4100)
	100	250	150		428 (4200)
110	270	160	428 (4200)		
120	290	170	428 (4200)		
125	300	175	428 (4200)		

▶ Charging Pressure / Force Increase Factor



▶ Gas Spring Mountings



38 - BTC
Ref Page No.97



38 - TPC
Ref Page No.99



38 - STPC
Ref Page No.98



38 - FLC
Ref Page No.99

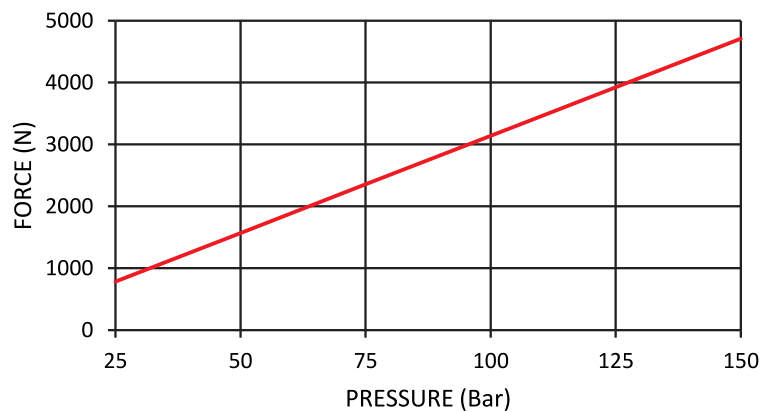
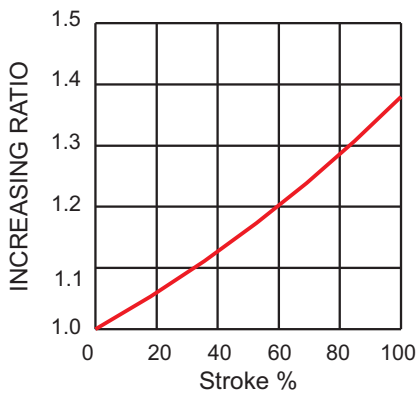


38 - FLCA
Ref Page No.100

► Gas Spring - NFS-S3-500 Series

Code	Stroke mm	L mm (± 0.25)	C mm (-0.2)	Initial Kg (N)	End Force Kg (N)
NFS-S3-500	10	70	60	474 (4650)	622 (6100)
	15	80	65		632 (6200)
	20	90	70		642 (6300)
	25	100	75		642 (6300)
	30	110	80		652 (6400)
	35	120	85		652 (6400)
	38	126	88		652 (6400)
	40	130	90		652 (6400)
	45	140	95		652 (6400)
	50	150	100		652 (6400)
	60	170	110		662 (6500)
	63	176	113		662 (6500)
	70	190	120		662 (6500)
	80	210	130		662 (6500)
	90	230	140		662 (6500)
	100	250	150		662 (6500)
	110	270	160		662 (6500)
120	290	170	662 (6500)		
125	300	175	662 (6500)		

► Charging Pressure / Force Increase Factor



► Gas Spring Mountings



45 - BTC
Ref Page No.97



45 - BSP(A/B)
Ref Page No.97



45 - TPC
Ref Page No.99



45 - STPC
Ref Page No.98



45 - FLC
Ref Page No.99

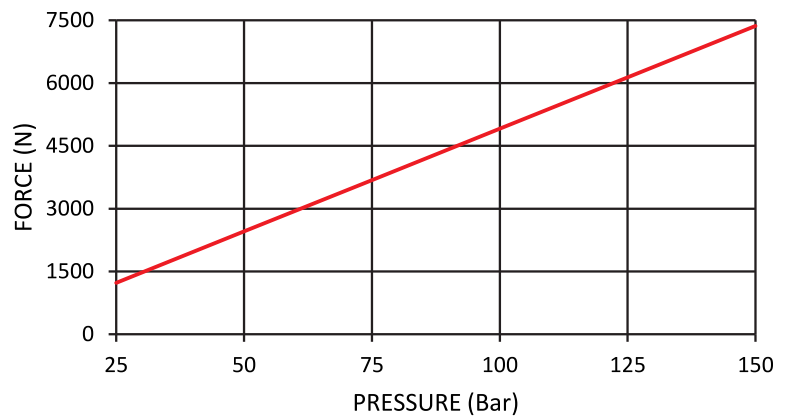
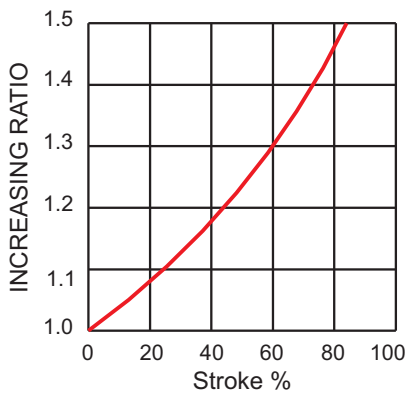


45 - FLCA
Ref Page No.100

▶ Gas Spring - NFS-S3-750 Series

Code	Stroke mm	L mm (± 0.25)	C mm (-0.2)	Initial Kg (N)	End Force Kg (N)
NFS-S3-750	10	70	60	749 (7350)	1192 (11,700)
	13	76	63		1202 (11,800)
	15	80	65		1202 (11,800)
	20	90	70		1213 (11,900)
	25	100	75		1213 (11,900)
	30	110	80		1213 (11,900)
	35	120	85		1213 (11,900)
	38	126	88		1223 (12,000)
	40	130	90		1223 (12,000)
	45	140	95		1223 (12,000)
	50	150	100		1223 (12,000)
	60	170	110		1223 (12,000)
	63	176	113		1223 (12,000)
	70	190	120		1223 (12,000)
	75	200	125		1223 (12,000)
	80	210	130		1223 (12,000)
	90	230	140		1223 (12,000)
100	250	150	1223 (12,000)		
125	300	175	1223 (12,000)		

▶ Charging Pressure / Force Increase Factor



▶ Gas Spring Mountings



50 - BTC
Ref Page No.97



50 - BSP(A/B)
Ref Page No.97



50 - TPC
Ref Page No.99



50 - STPC
Ref Page No.98



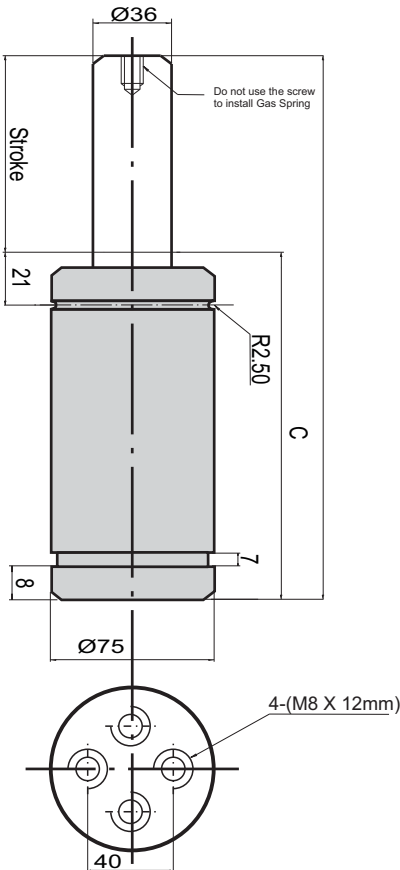
50 - FLC
Ref Page No.99



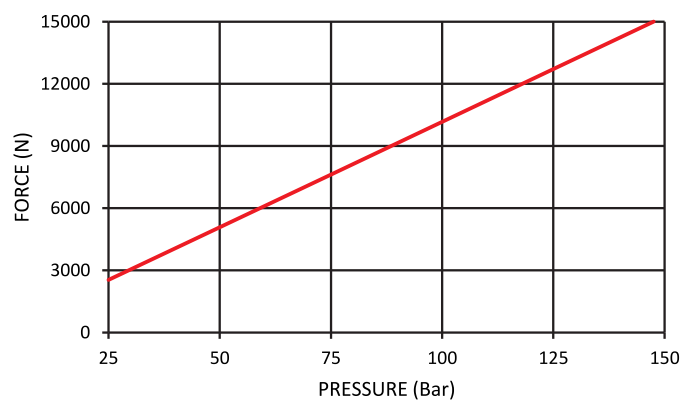
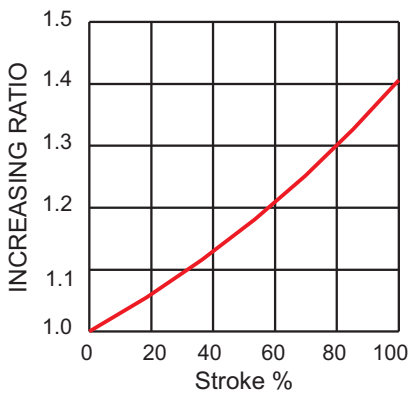
50 - FLCA
Ref Page No.100

► Gas Spring - NFS-S3-1500 Series

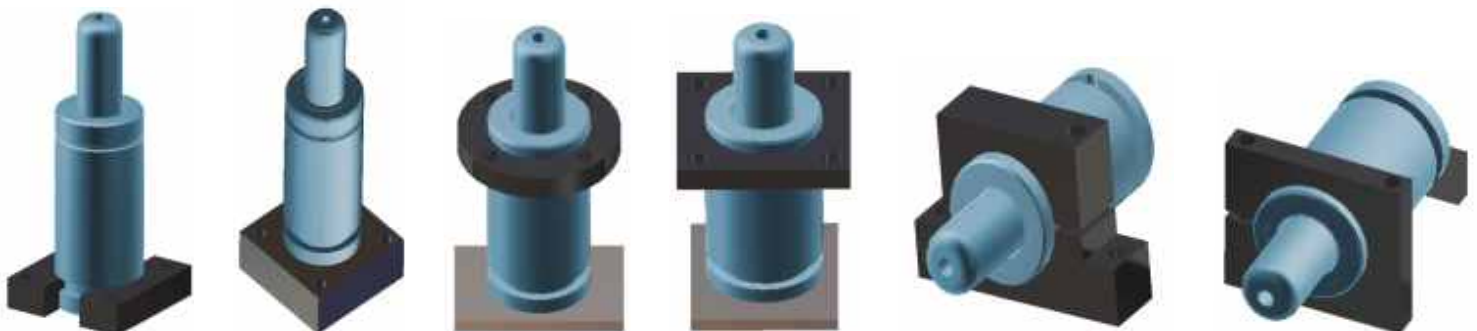
Code	Stroke mm	L mm (± 0.25)	C mm (-0.2)	Initial Kg (N)	End Force Kg (N)
NFS-S3-1500	10	114	104	1544 (15,150)	1937 (19,000)
	13	120	107		1988 (19,500)
	15	124	109		2008 (19,700)
	20	134	114		2059 (20,200)
	25	144	119		2090 (20,500)
	30	154	124		2120 (20,800)
	35	164	129		2130 (20,900)
	38	170	132		2140 (21,000)
	40	174	134		2140 (21,000)
	45	184	139		2161 (21,200)
	50	194	144		2171 (21,300)
	60	214	154		2191 (21,500)
	63	220	157		2191 (21,500)
	70	234	164		2202 (21,600)
	75	244	169		2202 (21,600)
	80	254	174		2212 (21,700)
	90	274	184		2222 (21,800)
	100	294	194		2222 (21,800)
	125	344	219		2232 (21,900)
	150	394	244		2242 (22,000)
160	414	254	2242 (22,000)		
175	444	269	2253 (22,100)		
200	494	294	2253 (22,100)		



► Charging Pressure / Force Increase Factor



► Gas Spring Mountings



75 - BTC
Ref Page No.97

75 - BSP(A/B)
Ref Page No.97

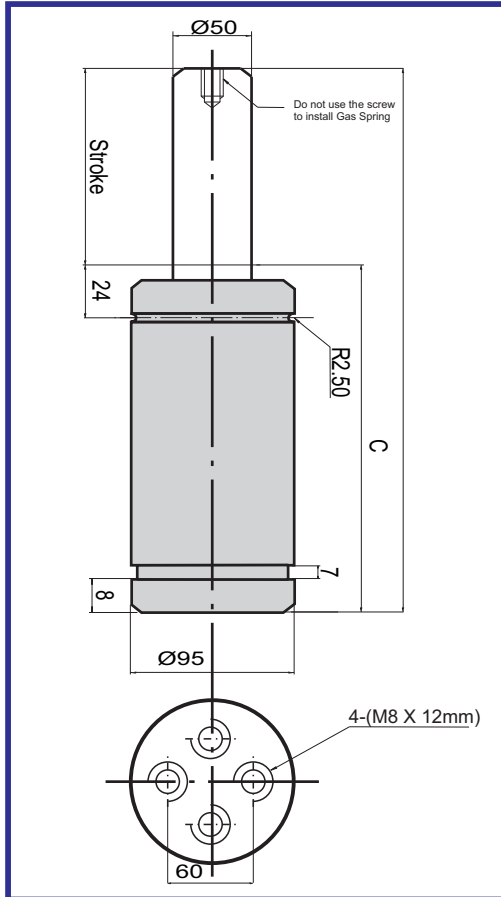
75 - TPC
Ref Page No.99

75 - STPC
Ref Page No.98

75 - FLC
Ref Page No.99

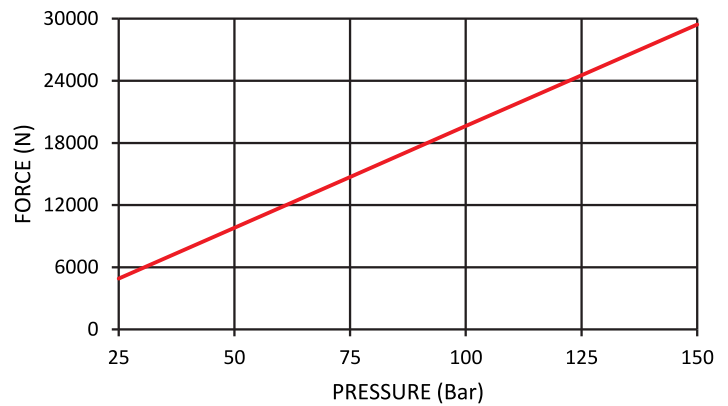
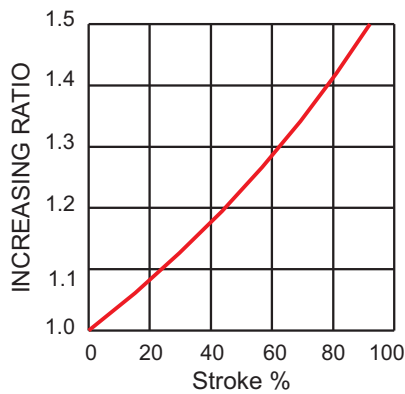
75 - FLCA
Ref Page No.100

▶ Gas Spring - NFS-S3-3000 Series



Code	Stroke mm	L mm (± 0.25)	C mm (-0.2)	Initial Kg (N)	End Force Kg (N)
NFS-S3-3000	10	114	104	2997 (29,400)	4159 (40,800)
	13	120	107		4271 (41,900)
	15	124	109		4332 (42,500)
	20	134	114		4444 (43,600)
	25	144	119		4515 (44,300)
	30	154	124		4566 (44,800)
	35	164	129		4607 (45,200)
	38	170	132		4628 (45,400)
	40	174	134		4648 (45,600)
	45	184	139		4669 (45,800)
	50	194	144		4689 (46,000)
	60	214	154		4730 (46,400)
	63	220	157		4730 (46,400)
	70	234	164		4750 (46,600)
	75	244	169		4760 (46,700)
	80	254	174		4770 (46,800)
	90	274	184		4781 (46,900)
	100	294	194		4791 (47,000)
	125	344	219		4821 (47,300)
	150	394	244		4832 (47,400)
160	414	254	4842 (47,500)		
175	444	269	4842 (47,500)		
200	494	294	4852 (47,600)		

▶ Charging Pressure / Force Increase Factor



▶ Gas Spring Mountings



95 - BTC
Ref Page No.97



95 - BSP(A/B)
Ref Page No.97



95 - TPC
Ref Page No.99



95 - STPC
Ref Page No.98

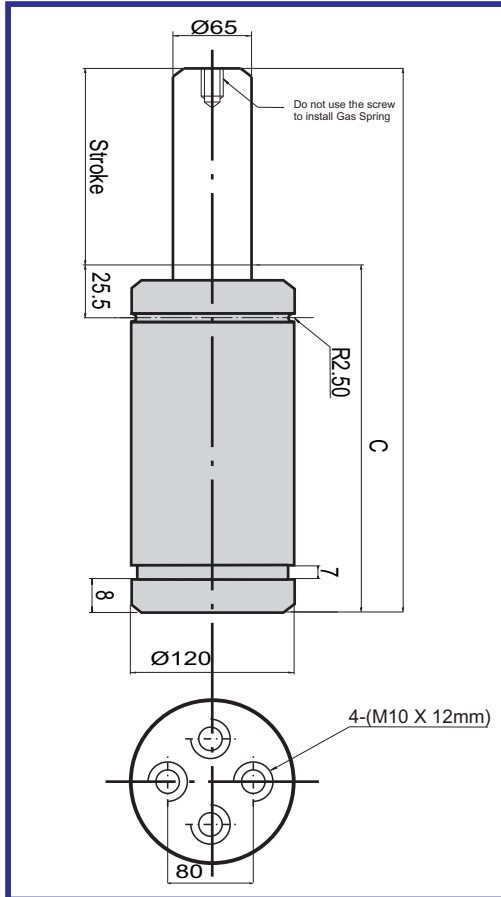


95 - FLC
Ref Page No.99



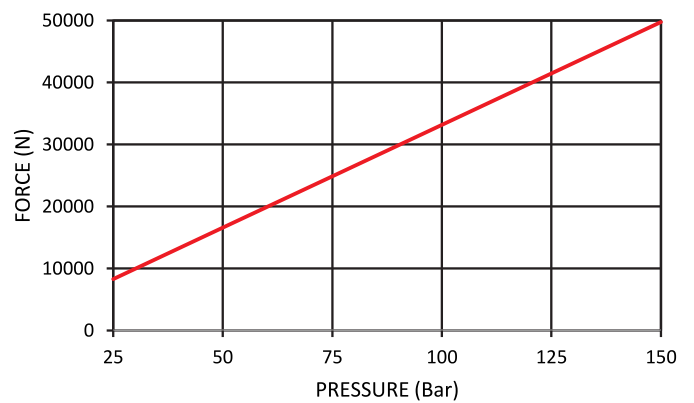
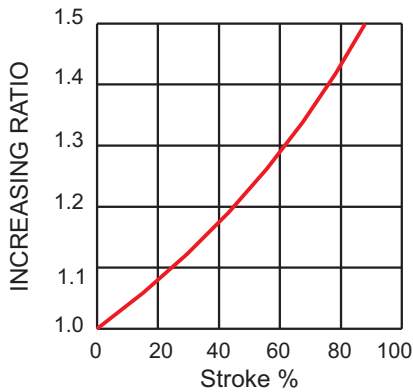
95 - FLCA
Ref Page No.100

▶ Gas Spring - NFS-S3-5000 Series



Code	Stroke mm	L mm (±0.2)	C mm (-0.2)	Initial Kg(N)	End Force Kg(N)
NFS-S3-5000	10	117	107	5061 (49,650)	6870 (67,400)
	13	123	110		7115 (69,800)
	15	127	112		7237 (71,000)
	20	137	117		7492 (73,500)
	25	147	122		7665 (75,200)
	30	157	127		7798 (76,500)
	35	167	132		7910 (77,600)
	38	173	135		7961 (78,100)
	40	177	137		7992 (78,400)
	45	187	142		8063 (79,100)
	50	197	147		8114 (79,600)
	60	217	157		8206 (80,500)
	63	223	160		8226 (80,700)
	70	237	167		8277 (81,200)
	75	247	172		8297 (81,400)
	80	257	177		8328 (81,700)
	90	277	187		8369 (82,100)
	100	297	197		8399 (82,400)
	125	347	222		8471 (83,100)
	150	397	247		8511 (83,500)
160	417	257	8522 (83,600)		
175	447	272	8542 (83,800)		
200	497	297	8572 (84,100)		

▶ Charging Pressure / Force Increase Factor



▶ Gas Spring Mountings



120 - BTC
Ref Page No.97



120 - BSP(A/B)
Ref Page No.97



120 - TPC
Ref Page No.99



120 - STPC
Ref Page No.98

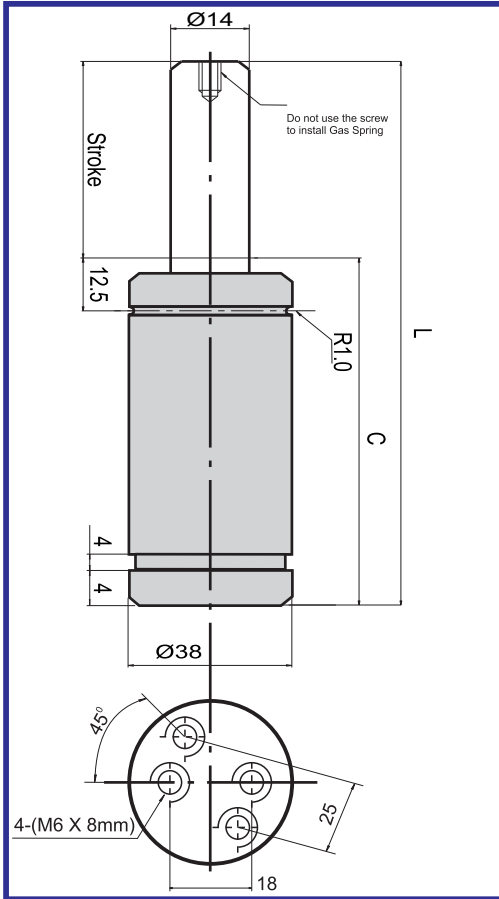


120 - FLC
Ref Page No.99



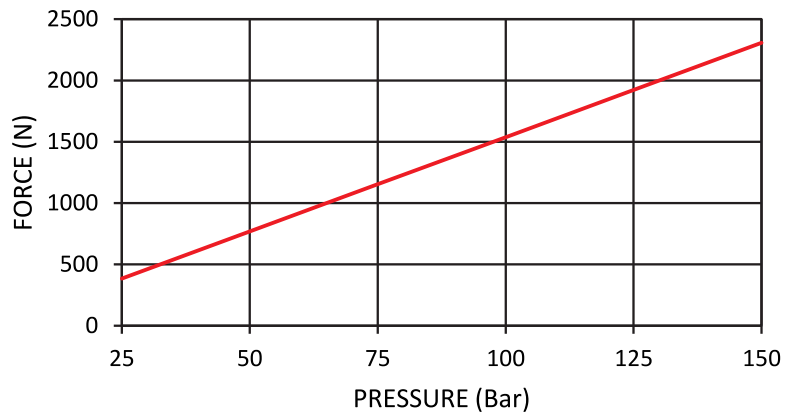
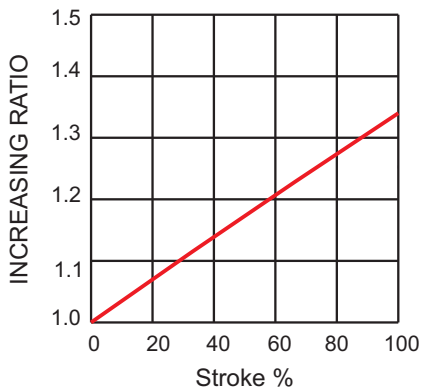
120 - FLCA
Ref Page No.100

► Gas Spring - NFS-S4-250 Series



Code	Stroke mm	L mm (± 0.25)	C mm (-0.2)	Initial Kg (N)	End Force Kg (N)
NFS-S4-250	10	70	60	265 (2600)	357 (3500)
	13	76	63		357 (3500)
	16	82	66		357 (3500)
	20	90	70		357 (3500)
	25	100	75		357 (3500)
	30	110	80		357 (3500)
	32	114	82		357 (3500)
	35	120	85		357 (3500)
	38	126	88		357 (3500)
	40	130	90		357 (3500)
	45	140	95		357 (3500)
	50	150	100		357 (3500)
	60	170	110		357 (3500)
	63	176	113		357 (3500)
	70	190	120		357 (3500)
	75	200	125		357 (3500)
80	210	130	357 (3500)		
90	230	140	357 (3500)		
100	250	150	357 (3500)		
125	300	175	357 (3500)		

► Charging Pressure / Force Increase Factor



► Gas Spring Mountings



38 - BTC
Ref Page No.97



38 - TPC
Ref Page No.99



38 - STPC
Ref Page No.98



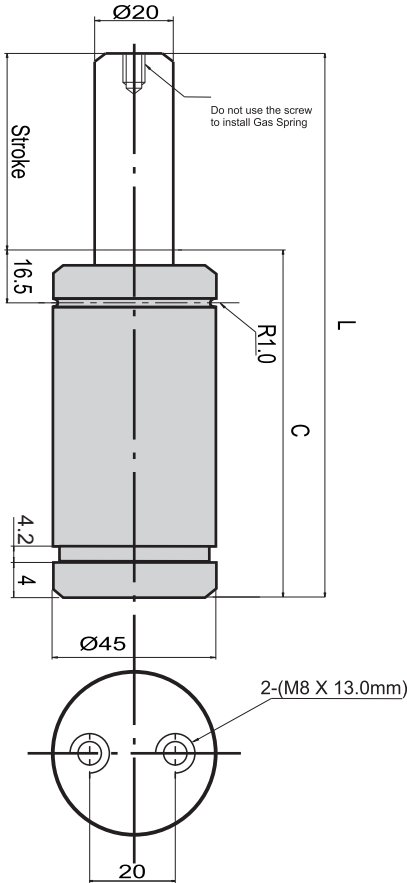
38 - FLC
Ref Page No.99



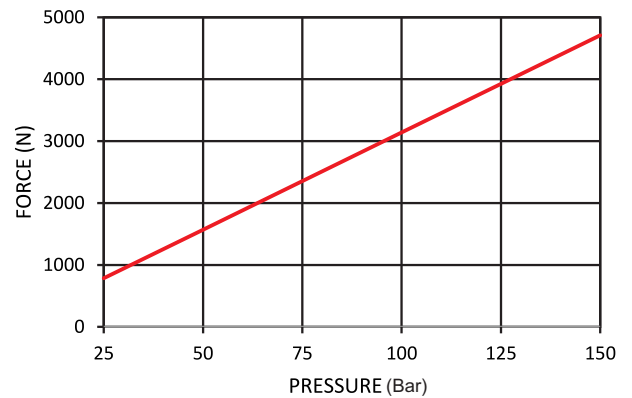
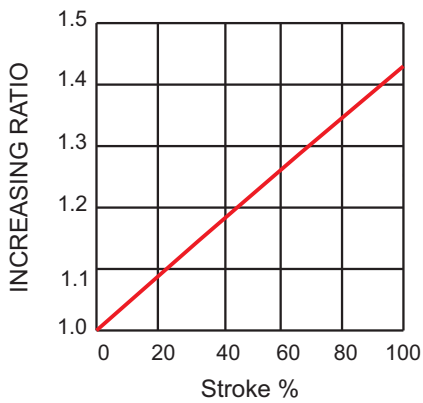
38 - FLCA
Ref Page No.100

► Gas Spring - NFS-S4-500 Series

Code	Stroke mm	L mm (± 0.25)	C mm (-0.2)	Initial	
				Force Kg (N)	Force Kg (N)
NFS-S4-500	10	105	95	479 (4700)	612 (6000)
	13	111	98		622 (6100)
	16	117	101		632 (6200)
	20	125	105		642 (6300)
	25	135	110		653 (6400)
	30	145	115		653 (6400)
	32	149	117		653 (6400)
	35	155	120		653 (6400)
	38	161	123		663 (6500)
	40	165	125		663 (6500)
	45	175	130		663 (6500)
	50	185	135		673 (6600)
	60	205	145		673 (6600)
	63	211	148		673 (6600)
	70	225	155		673 (6600)
	75	235	160		673 (6600)
	80	245	165		683 (6700)
	90	265	175		683 (6700)
100	285	185	683 (6700)		
125	335	210	683 (6700)		
160	405	245	683 (6700)		



► Charging Pressure / Force Increase Factor



► Gas Spring Mountings



45 - BTC
Ref Page No.97

45 - BSP(A/B)
Ref Page No.97

45 - TPC
Ref Page No.99

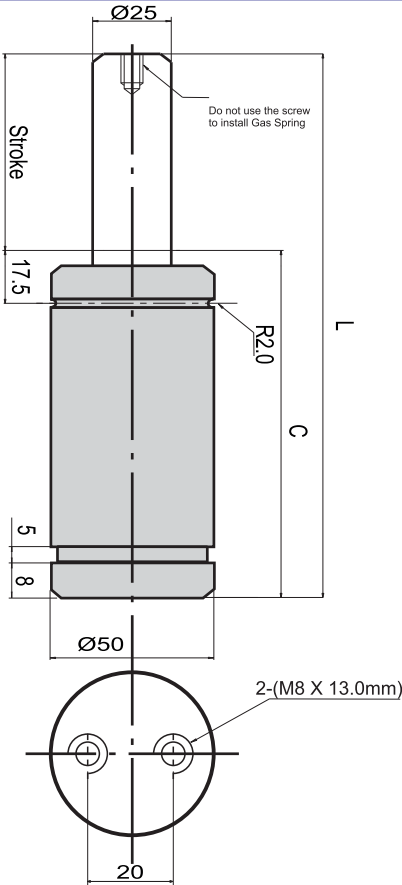
45 - STPC
Ref Page No.98

45 - FLC
Ref Page No.99

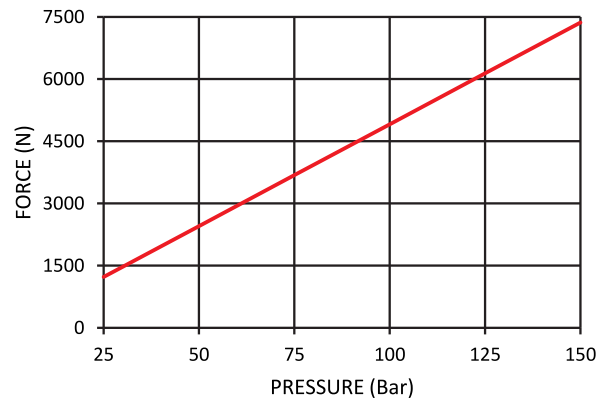
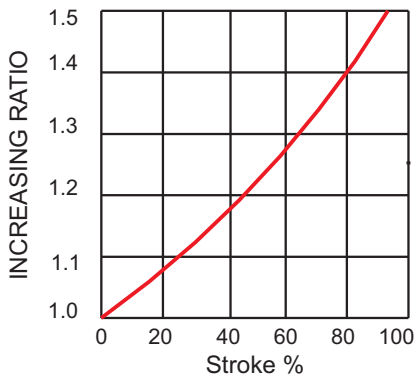
45 - FLCA
Ref Page No.100

▶ Gas Spring - NFS-S4-750 Series

Code	Stroke mm	L mm (± 0.25)	C mm (-0.2)	Initial Kg (N)	End Force Kg (N)
NFS-S4-750	13	121	108	755 (7400)	1224 (12000)
	16	127	111		1224 (12000)
	20	135	115		1224 (12000)
	25	145	120		1224 (12000)
	30	155	125		1224 (12000)
	32	159	127		1224 (12000)
	35	165	130		1224 (12000)
	38	171	133		1224 (12000)
	40	175	135		1224 (12000)
	45	185	140		1224 (12000)
	50	195	145		1224 (12000)
	60	215	155		1224 (12000)
	63	221	158		1224 (12000)
	70	235	165		1224 (12000)
	75	245	170		1224 (12000)
	80	255	175		1224 (12000)
	90	275	185		1224 (12000)
	100	295	195		1224 (12000)
	125	345	220		1234 (12100)
	160	415	255		1234 (12100)
200	495	295	1234 (12100)		
250	595	345	1234 (12100)		
300	695	395	1234 (12100)		



▶ Charging Pressure / Force Increase Factor



▶ Gas Spring Mountings



50 - BTC
Ref Page No.97



50 - BSP(A/B)
Ref Page No.97



50 - TPC
Ref Page No.99



50 - STPC
Ref Page No.98

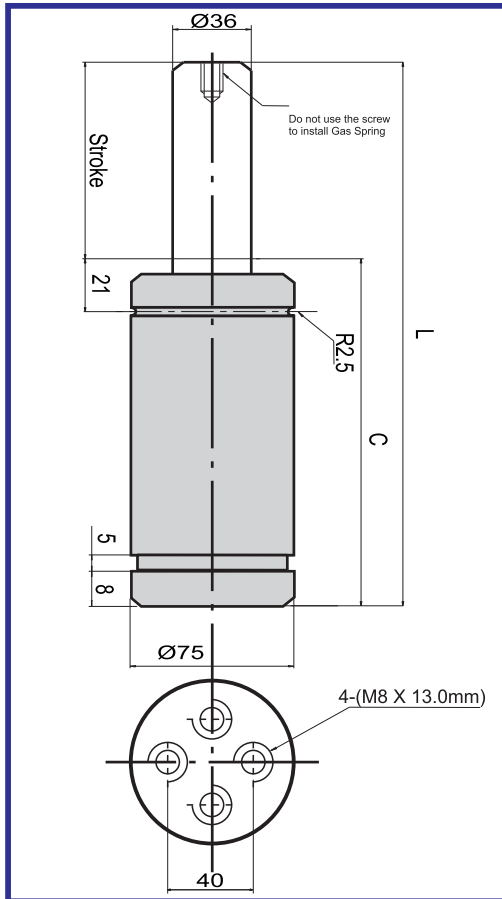


50 - FLC
Ref Page No.99



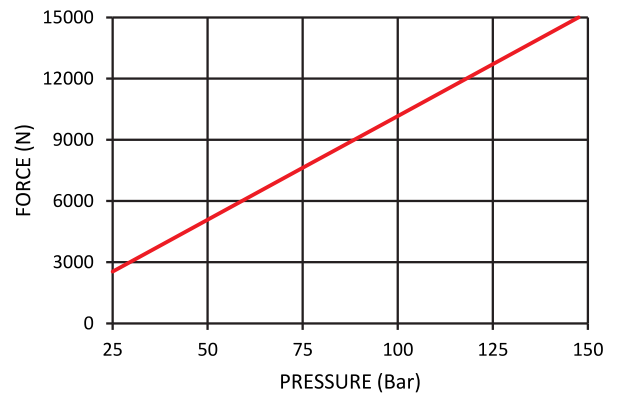
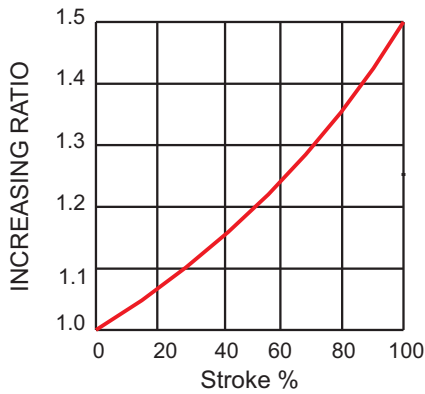
50 - FLCA
Ref Page No.100

► Gas Spring - NFS-S4-1500 Series



Code	Stroke mm	L mm (±0.2)	C mm (-0.2)	Initial Kg(N)	End Force Kg(N)
NFS-S4-1500	13	135	122	1560 (15300)	2345 (23000)
	16	142	126		2345 (23000)
	20	150	130		2345 (23000)
	25	160	135		2345 (23000)
	30	170	140		2345 (23000)
	32	174	142		2345 (23000)
	35	180	145		2345 (23000)
	38	186	148		2345 (23000)
	40	190	150		2345 (23000)
	45	200	155		2345 (23000)
	50	210	160		2345 (23000)
	60	230	170		2345 (23000)
	63	236	173		2345 (23000)
	70	250	180		2345 (23000)
	75	260	185		2345 (23000)
	80	270	190		2345 (23000)
	90	290	200		2345 (23000)
	100	310	210		2345 (23000)
	125	360	235		2345 (23000)
	160	430	270		2345 (23000)
200	510	310	2345 (23000)		
250	610	360	2345 (23000)		
300	710	410	2345 (23000)		

► Charging Pressure / Force Increase Factor



► Gas Spring Mountings



75 - BTC
Ref Page No.97



75 - BSP(A/B)
Ref Page No.97



75 - TPC
Ref Page No.99



75 - STPC
Ref Page No.98



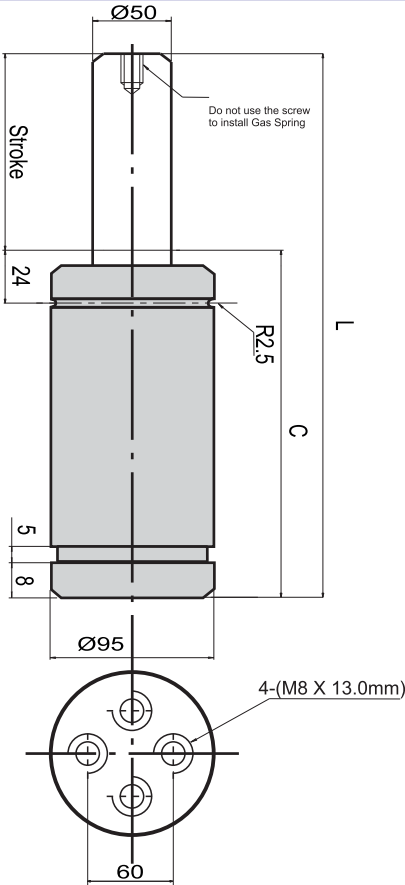
75 - FLC
Ref Page No.99



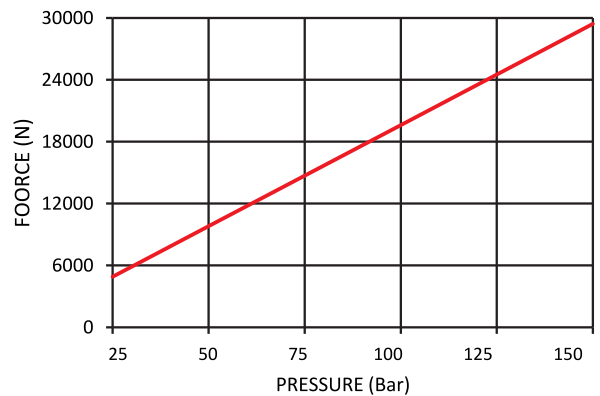
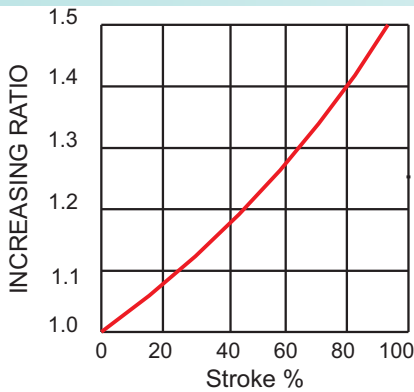
75 - FLCA
Ref Page No.100

▶ Gas Spring - NFS-S4-3000 Series

Code	Stroke mm	L mm (± 0.25)	C mm (-0.2)	Initial Force	
				Initial Kg (N)	End Force Kg (N)
NFS-S4-3000	13	145	132	3003 (29450)	4283 (42000)
	16	152	136		4283 (42000)
	20	160	140		4283 (42000)
	25	170	145		4283 (42000)
	30	180	150		4283 (42000)
	32	184	152		4283 (42000)
	35	190	155		4283 (42000)
	38	196	158		4385 (43000)
	40	200	160		4385 (43000)
	45	210	165		4385 (43000)
	50	220	170		4487 (4400)
	60	240	180		4487 (4400)
	63	246	183		4589 (45000)
	70	260	190		4589 (45000)
	75	270	195		4589 (45000)
	80	280	200		4691 (46000)
	90	300	210		4691 (46000)
	100	320	220		4793 (47000)
	125	370	245		4793 (47000)
	160	440	280		4793 (47000)
200	520	320	4895 (48000)		
250	620	370	4895 (48000)		
300	720	420	4895 (48000)		



▶ Charging Pressure / Force Increase Factor

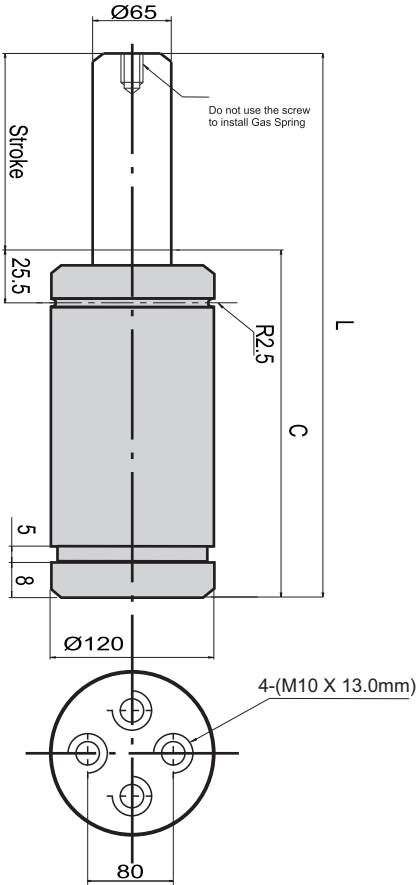


▶ Gas Spring Mountings

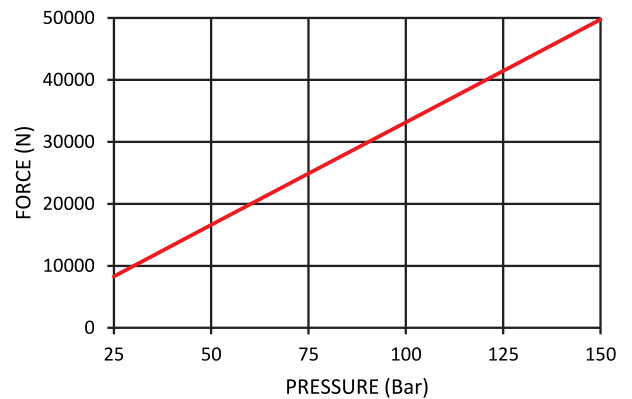
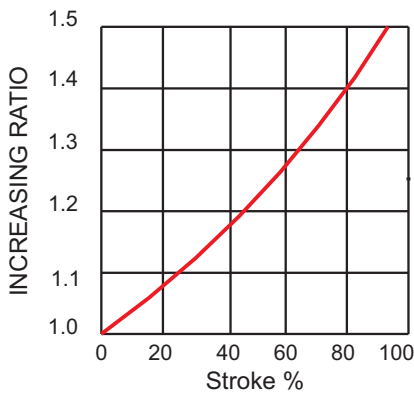


▶ Gas Spring - NFS-S4-5000 Series

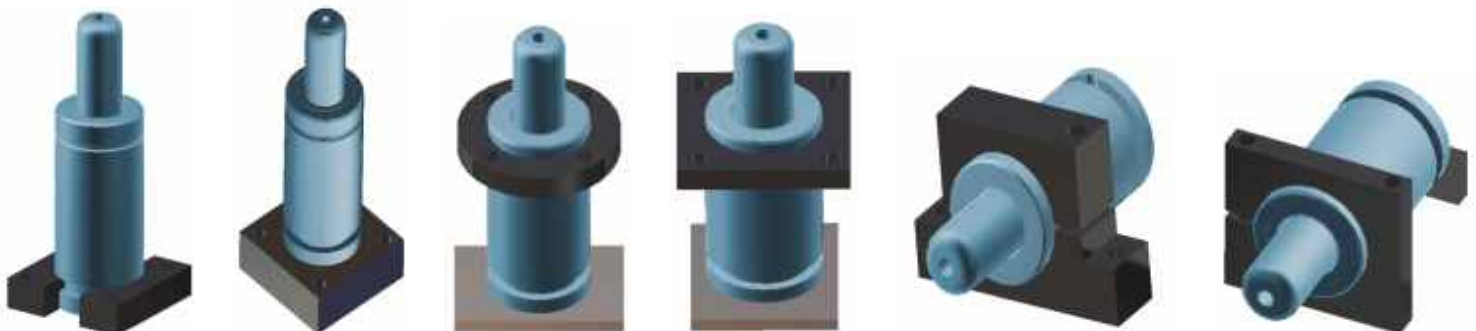
Code	Stroke mm	L mm (± 0.25)	C mm (-0.2)	Initial Kg (N)	End Force Kg (N)
	25	190	165	5078 (49800)	7240 (71000)
	30	200	170		7240 (71000)
	32	204	172		7240 (71000)
	35	210	175		7240 (71000)
	38	216	178		7648 (75000)
	40	220	180		7648 (75000)
	45	230	185		7648 (75000)
	50	240	190		7852 (77000)
	60	260	200		7852 (77000)
	63	266	203		8158 (80000)
	70	280	210		8158 (80000)
	75	290	215		8158 (80000)
	80	300	220		8260 (81000)
	90	320	230		8260 (81000)
	100	340	240		8362 (82000)
	125	390	265		8362 (82000)
	160	460	300		8464 (83000)
	200	540	340		8566 (84000)
	250	640	390		8566 (84000)
	300	740	440		8566 (84000)



▶ Charging Pressure / Force Increase Factor



▶ Gas Spring Mountings



120 - BTC
Ref Page No.97

120 - BSP(A/B)
Ref Page No.97

120 - TPC
Ref Page No.99

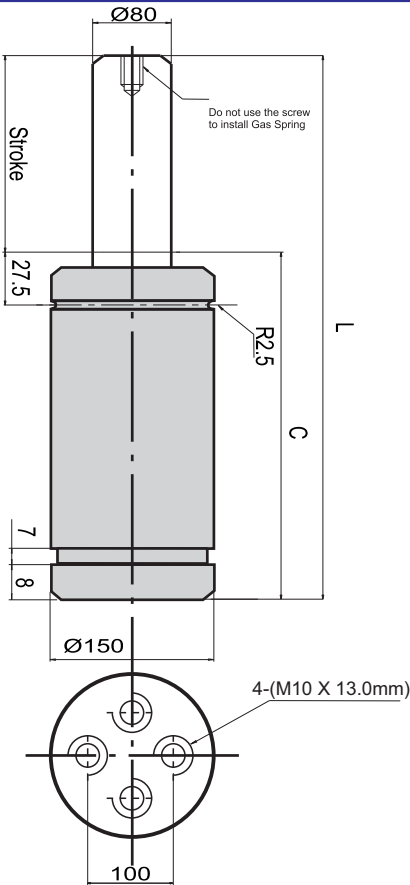
120 - STPC
Ref Page No.98

120 - FLC
Ref Page No.99

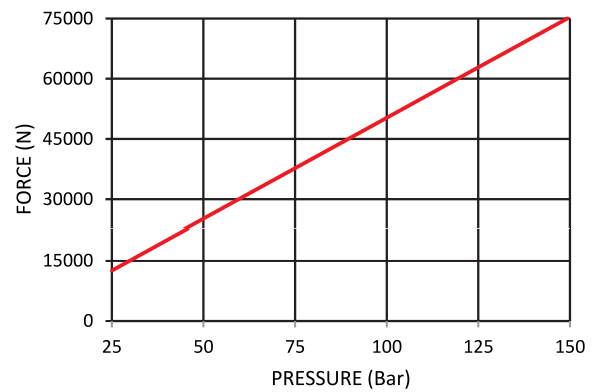
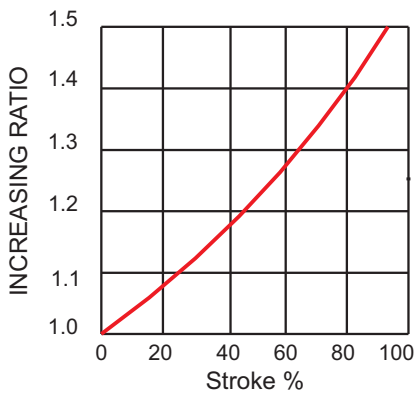
120 - FLCA
Ref Page No.100

▶ Gas Spring - NFS-S4-7500 Series

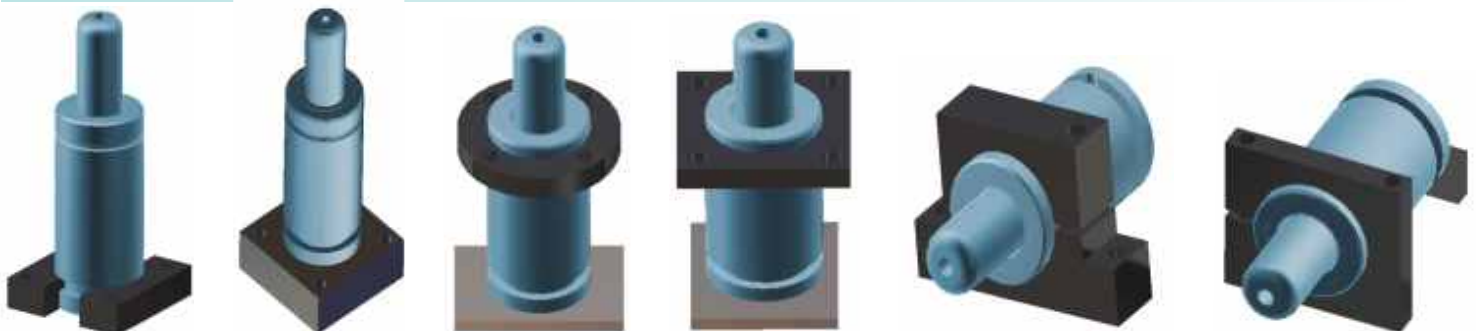
Code	Stroke mm	L mm (± 0.25)	C mm (-0.2)	Initial Kg (N)	End Force Kg (N)
	25	205	180	7689 (75400)	10714(105000)
	30	215	185		10714 (105000)
	32	219	187		10714 (105000)
	35	225	190		10714 (105000)
	38	231	193		11224 (110000)
	40	235	195		11224 (110000)
	45	245	200		11224 (110000)
	50	255	205		11531 (113000)
	60	275	215		11531 (113000)
	63	281	218		11735 (115000)
	70	295	225		11735 (115000)
	75	305	230		11735 (115000)
	80	315	235		11939 (117000)
	90	335	245		11939 (117000)
	100	355	255		12143 (119000)
	125	405	280		12347 (121000)
	160	475	315		12449 (122000)
	200	555	355		12551 (123000)
	250	655	405		12653 (124000)
	300	755	455		12653 (124000)



▶ Charging Pressure / Force Increase Factor



▶ Gas Spring Mountings



150 - BTC
Ref Page No.97

150 - BSP(A/B)
Ref Page No.97

150 - TPC
Ref Page No.99

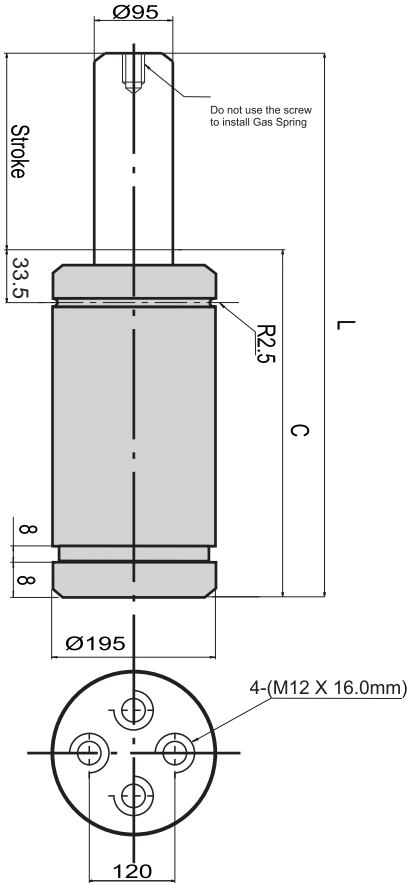
150 - STPC
Ref Page No.98

150 - FLC
Ref Page No.99

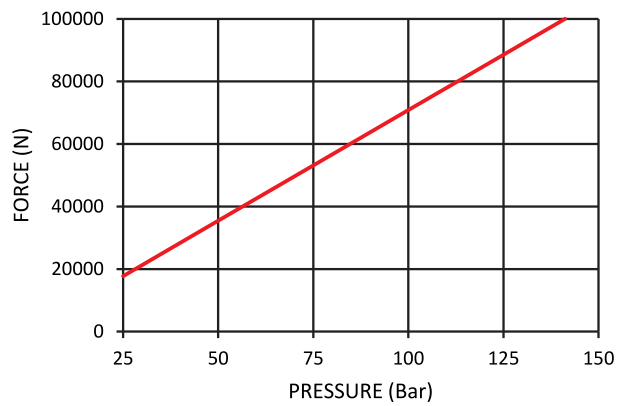
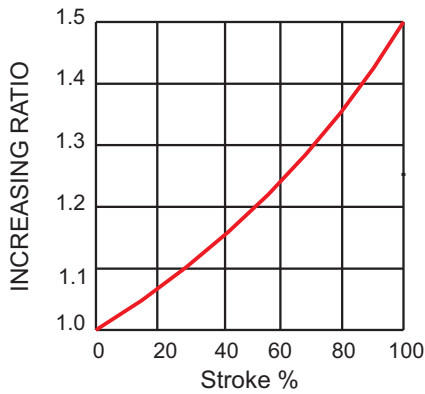
150 - FLCA
Ref Page No.100

▶ Gas Spring - NFS-S4-10000 Series

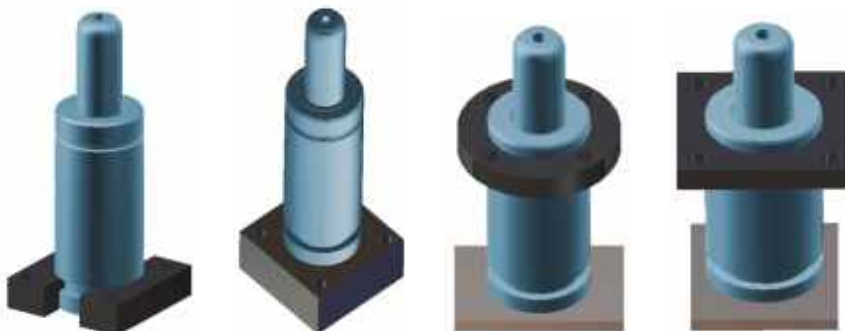
Code	Stroke mm	L mm (± 0.25)	C mm (-0.2)	Initial Kg (N)	End Force Kg (N)
	25	210	185		14082(138000)
	30	220	190		14082(138000)
	32	224	192		14082(138000)
	35	230	195		14082(138000)
	38	236	198		14592(143000)
	40	240	200		14592(143000)
	45	250	205		14592(143000)
	50	260	210		15000(147000)
	60	280	220		15000(147000)
	63	286	223		15306(150000)
	70	300	230		15306(150000)
	75	310	235		15306(150000)
	80	320	240		15510(152000)
	90	340	250		15510(152000)
	100	360	260		15918(156000)
	125	410	285		16020(157000)
	160	480	320		16122(158000)
	200	560	360		16327(160000)
	250	660	410		16327(160000)
	300	760	460		16327(160000)



▶ Charging Pressure / Force Increase Factor



▶ Gas Spring Mountings



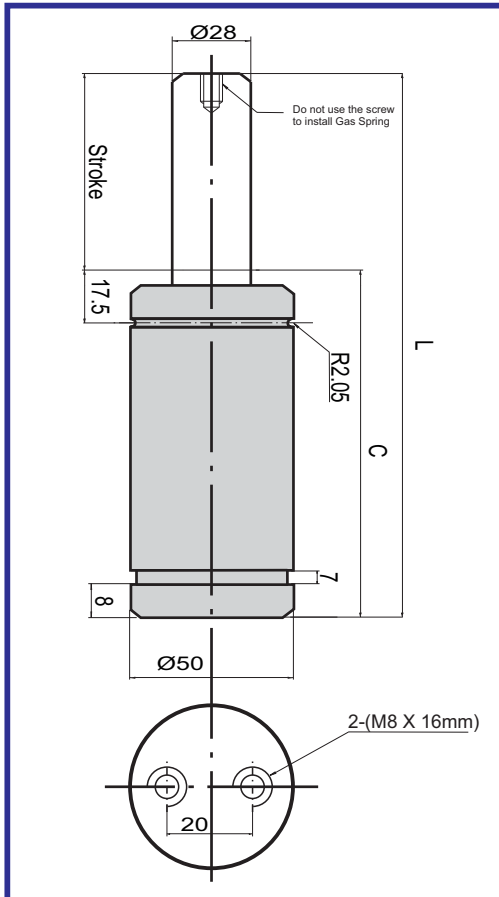
195 - BTC
Ref Page No.97

195 - BSP(A/B)
Ref Page No.97

195 - TPC
Ref Page No.99

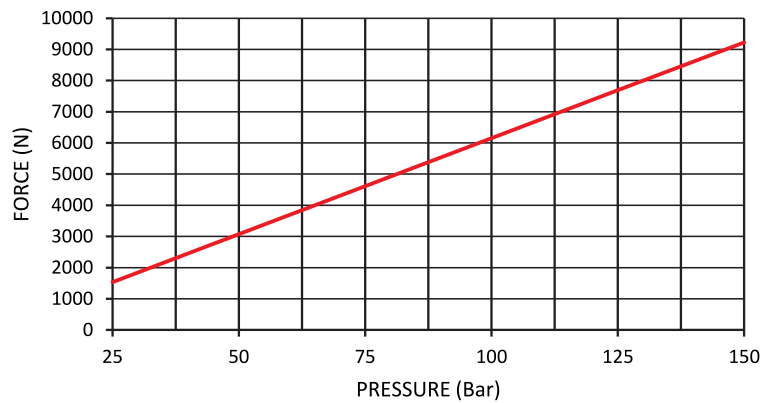
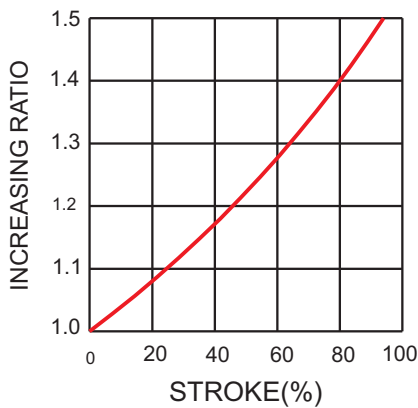
195 - STPC
Ref Page No.98

▶ Gas Spring - NFS-S4-B-1000 Series



Code	Stroke	L	C	Initial Force	End Force
	mm	mm	mm	Kg (N)	Kg (N)
NFS-S4-B-1000		±0.2	-0.2		
	13	121	108	938(9200)	1142 (11200)
	25	145	120		1233 (12100)
	38	171	133		1304 (12800)
	50	195	145		1345 (13200)
	63	221	158		1376 (13500)
	75	245	170		1396 (13700)
	80	255	175		1406 (13800)
	100	295	195		1437 (14100)
	125	345	220		1457 (14300)
	150	395	245		1478 (14500)
	160	415	255		1478 (14500)
	175	445	270		1488 (14600)
	200	495	295		1498 (14700)
250	595	345	1508 (14800)		
300	695	395	1518 (14900)		

▶ Charging Pressure / Force Increase Factor



▶ Gas Spring Mountings



50 - BTC
Ref Page No.97



50 - BSP(A/B)
Ref Page No.97



50 - TPC
Ref Page No.99



50 - STPC
Ref Page No.98

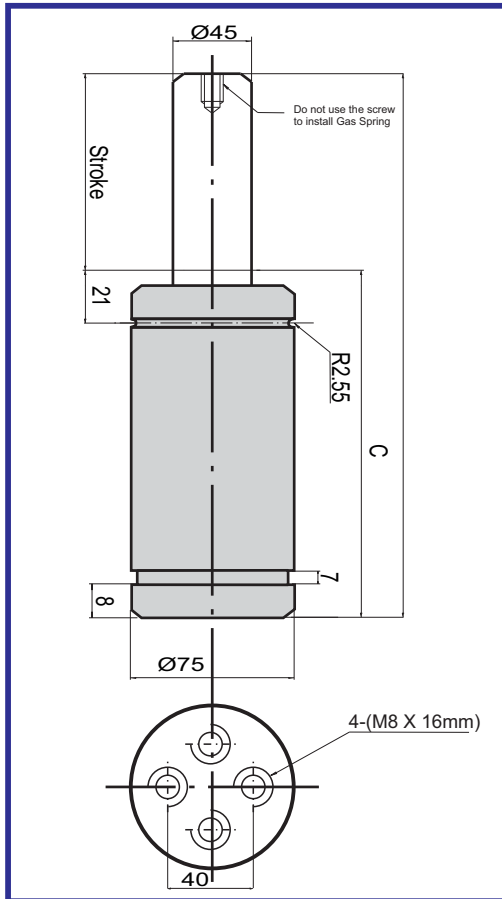


50 - FLC
Ref Page No.99



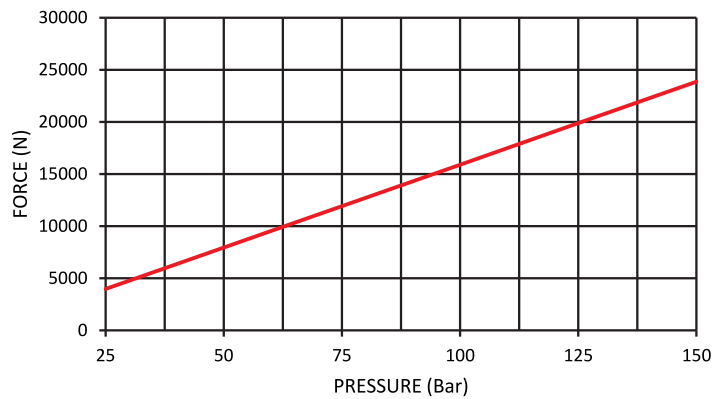
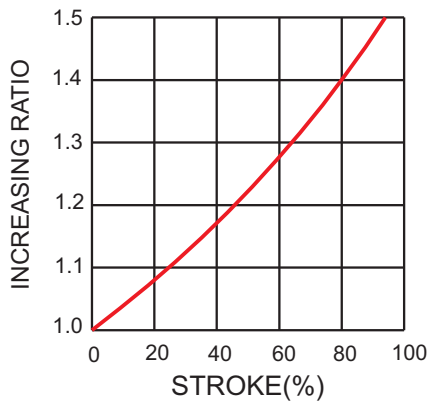
50 - FLCA
Ref Page No.100

▶ Gas Spring - NFS-S4-B-2400 Series



Code	Stroke	L	C	Initial Force	End Force
	mm	mm	mm	Kg (N)	Kg (N)
		±0.2	-0.2		
NFS-S4-B-2400	25	160	135	2446 (24000)	3782 (37100)
	38	186	148		3833 (37600)
	50	210	160		3863 (37900)
	63	236	173		3884 (38100)
	75	260	185		3904 (38300)
	80	270	190		3904 (38300)
	100	310	210		3924 (38500)
	125	360	235		3945 (38700)
	150	410	260		3955 (38800)
	160	430	270		3955 (38800)
	175	460	285		3965 (38900)
	200	510	310		3965 (38900)
	250	610	360		3975 (39000)
300	710	410	3985 (39100)		

▶ Charging Pressure / Force Increase Factor



▶ Gas Spring Mountings



75 - BTC
Ref Page No.97



75 - BSP(A/B)
Ref Page No.97



75 - TPC
Ref Page No.99



75 - STPC
Ref Page No.98

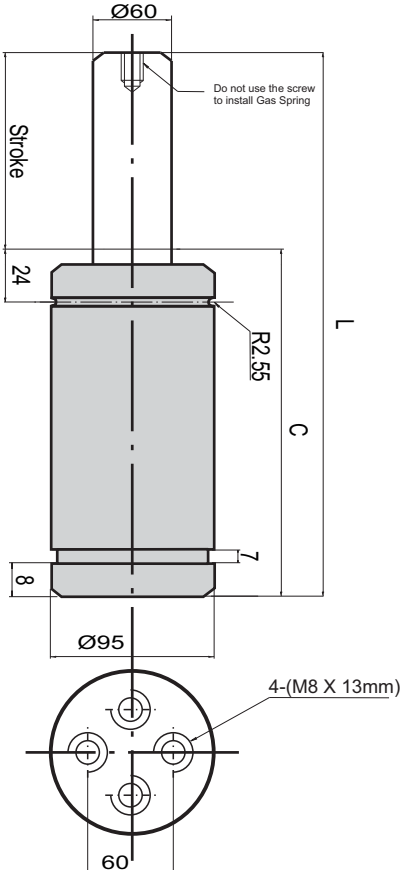


75 - FLC
Ref Page No.99

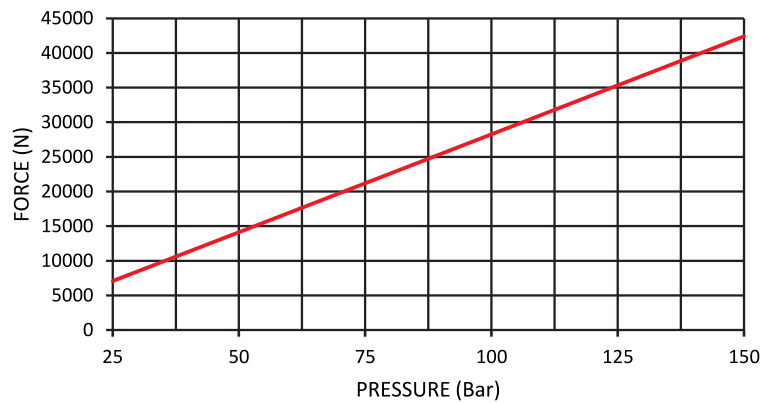
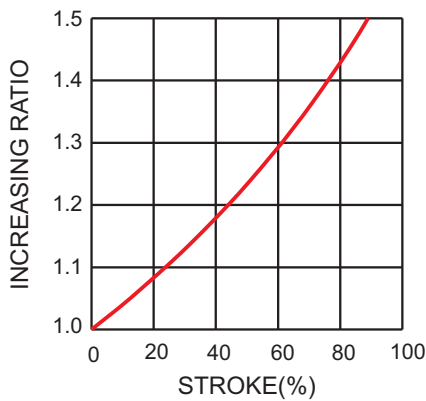


75 - FLCA
Ref Page No.100

▶ Gas Spring - NFS-S4-B-4200 Series

	Code	Stroke	L	C	Initial Force	End Force
		mm	mm	mm	Kg (N)	Kg (N)
		±0.2	-0.2			
NFS-S4-B-4200		25	170	145	4281 (42000)	5311 (52100)
		38	196	158		5617 (55100)
		50	220	170		5831 (57200)
		63	246	183		6014 (59000)
		75	270	195		6147 (60300)
		80	280	200		6198 (60800)
		100	320	220		6371 (62500)
		125	370	245		6524 (64000)
		150	420	270		6636 (65100)
		160	440	280		6677 (65500)
		175	470	295		6728 (66000)
		200	520	320		6809 (66800)
		250	620	370		6921 (67900)
	300	720	420	7003 (68700)		

▶ Charging Pressure / Force Increase Factor



▶ Gas Spring Mountings



95 - BTC
Ref Page No.97



95 - BSP(A/B)
Ref Page No.97



95 - TPC
Ref Page No.99



95 - STPC
Ref Page No.98

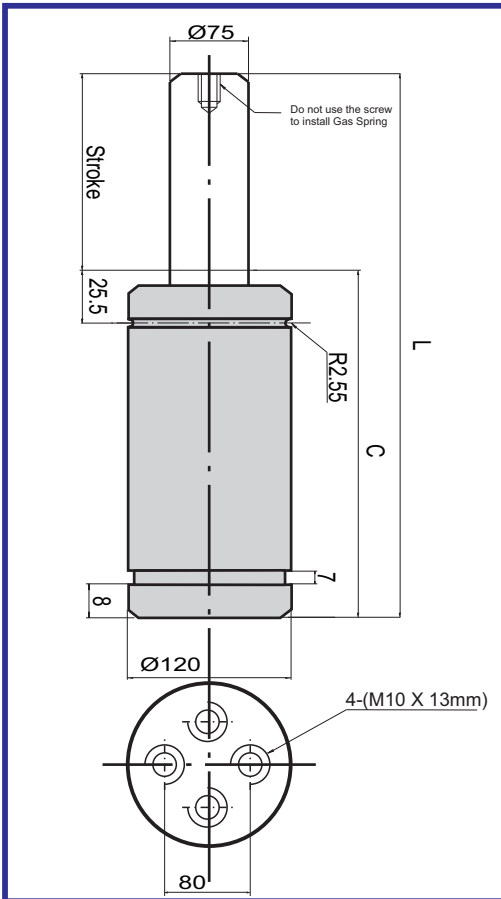


95 - FLC
Ref Page No.99



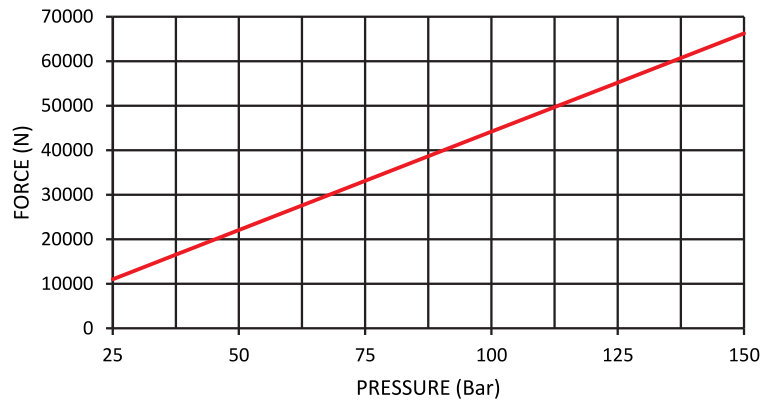
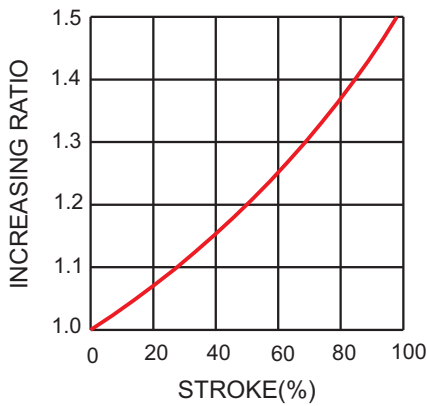
95 - FLCA
Ref Page No.100

► Gas Spring - NFS-S4-B-6600 Series



Code	Stroke	L	C	Initial Force	End Force
	mm	mm	mm	Kg (N)	Kg (N)
		±0.2	-0.2		
NFS-S4-B-6600	25	190	165	6758 (66300)	8104 (79500)
	38	216	178		8552 (83900)
	50	240	190		8868 (87000)
	63	266	203		9144 (89700)
	75	290	215		9358 (91800)
	80	300	220		9439 (92600)
	100	340	240		9694 (95100)
	125	390	265		9949 (97600)
	150	440	290		10143 (99500)
	160	460	300		10204 (100100)
	175	490	315		10296 (101000)
	200	540	340		10418 (102200)
	250	640	390		10601 (104000)
300	740	440	10734 (105300)		

► Charging Pressure / Force Increase Factor



► Gas Spring Mountings



120 - BTC
Ref Page No.97



120 - BSP(A/B)
Ref Page No.97



120 - TPC
Ref Page No.99



120 - STPC
Ref Page No.98

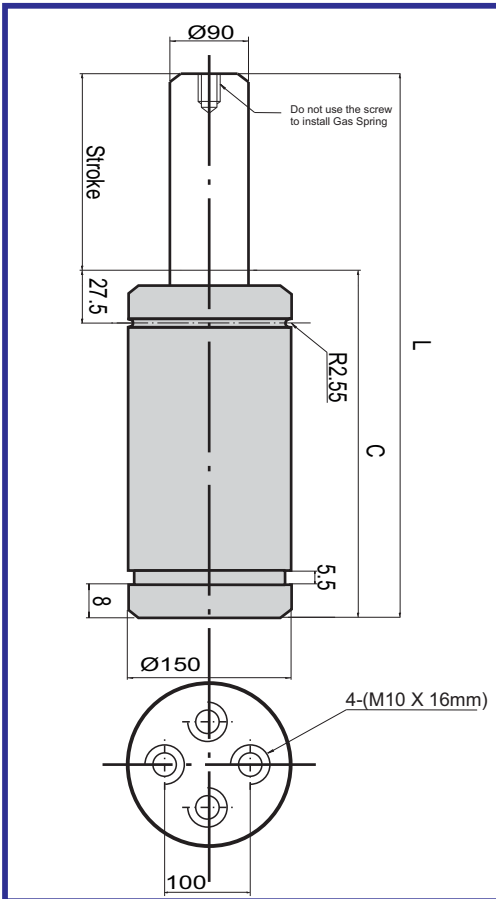


120 - FLC
Ref Page No.99



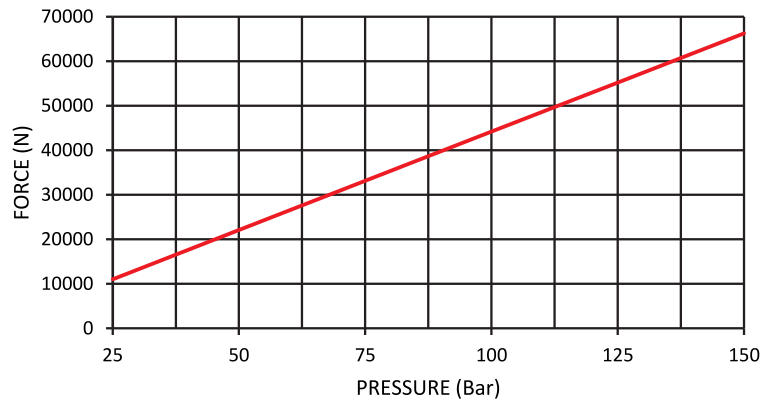
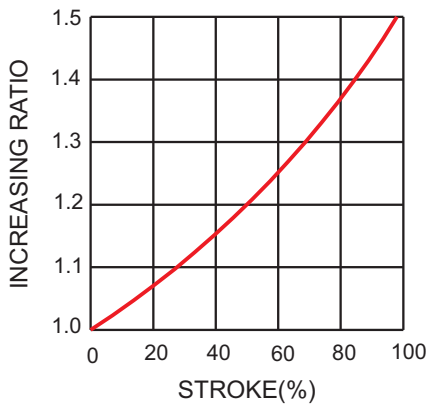
120 - FLCA
Ref Page No.100

▶ Gas Spring - NFS-S4-B-9500 Series



Code	Stroke	L	C	Initial Force	End Force
	mm	mm	mm	Kg (N)	Kg (N)
	±0.2	-0.2			
NFS-S4-B-9500	25	205	180	9684(95000)	11539 (113200)
	38	231	193		12130 (119000)
	50	255	205		12569 (123300)
	63	281	218		12946 (127000)
	75	305	230		13221 (129700)
	80	315	235		13333 (130800)
	100	355	255		13690 (134300)
	125	405	280		14026 (137600)
	150	455	305		14291 (140200)
	160	475	315		14373 (141000)
	175	505	330		14495 (142200)
	200	555	355		14658 (143800)
	250	655	405		14913 (146300)
300	755	455	15107 (148200)		

▶ Charging Pressure / Force Increase Factor



▶ Gas Spring Mountings



150 - BTC
Ref Page No.97



150 - BSP(A/B)
Ref Page No.97



150 - TPC
Ref Page No.99



150 - STPC
Ref Page No.98



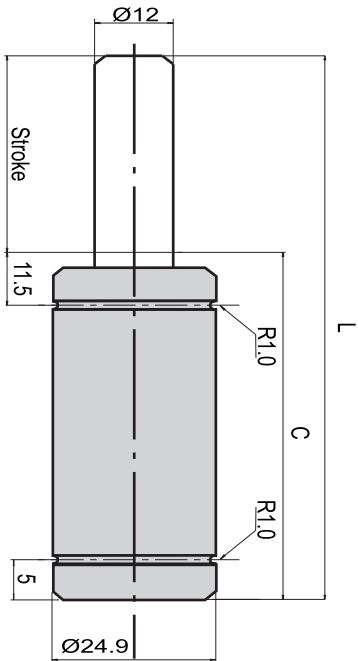
150 - FLC
Ref Page No.99



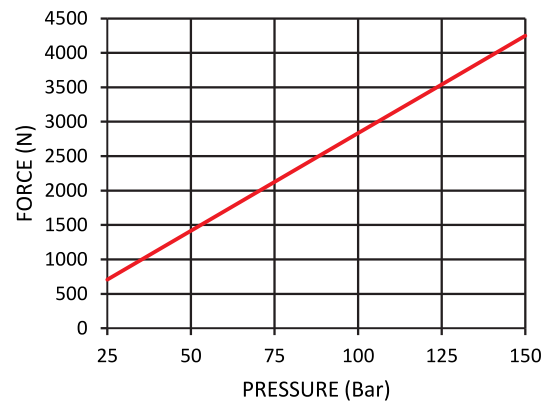
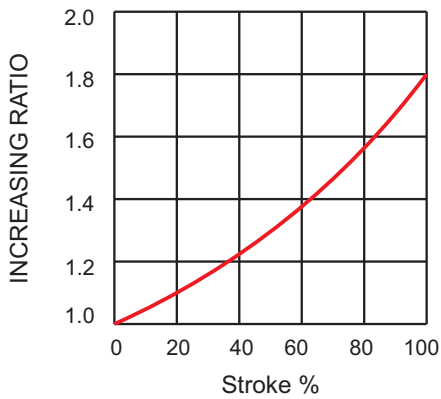
150 - FLCA
Ref Page No.100

▶ Gas Spring - NFS-S5-0042 Series

Code	Stroke mm	L mm (± 0.25)	C mm (-0.2)	Initial Force	
				Kg (N)	Kg (N)
NFS-S5-0042	6	56	50	428 (4200)	713 (7000)
	10	70	60		703 (6900)
	16	91	75		703 (6900)
	25	120	95		703 (6900)
	32	140	108		774 (7600)
	40	165	125		774 (7600)
	50	195	145		774 (7600)



▶ Charging Pressure / Force Increase Factor



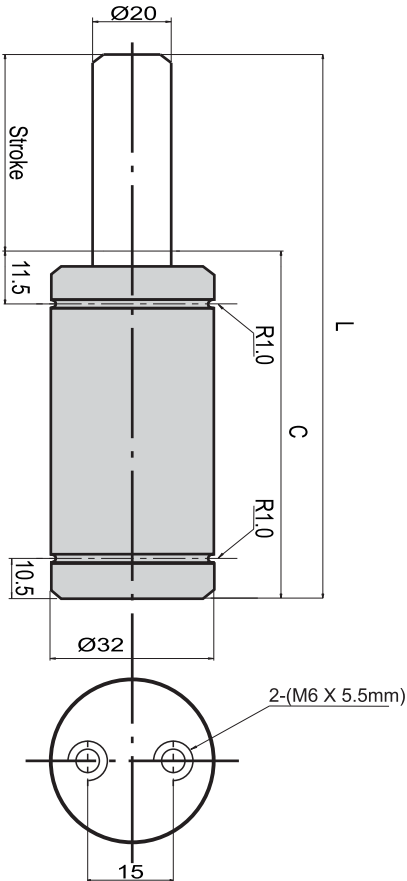
▶ Gas Spring Mountings



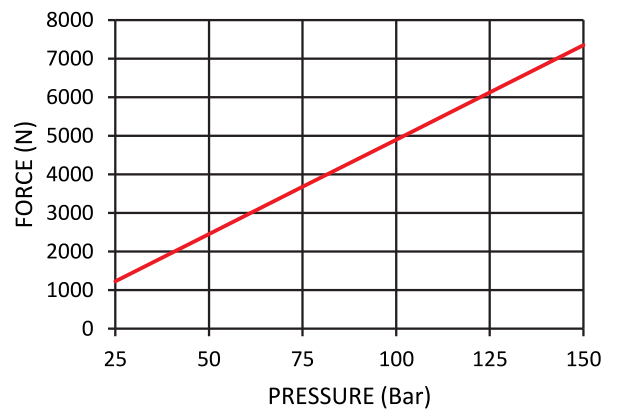
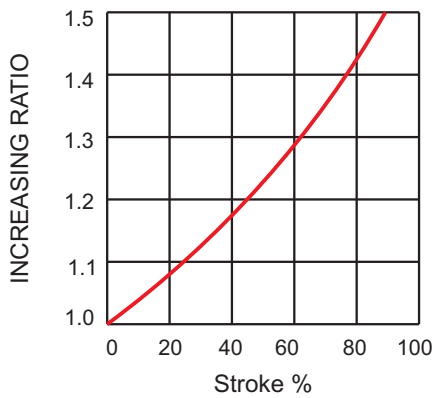
25 - TPC(A/B)
Ref Page No.96

▶ Gas Spring - NFS-S5-007 Series

Code	Stroke mm	L mm (± 0.25)	C mm (-0.2)	Initial Force	
				Kg	N
NFS-S5-007	6	63	57	754	7400
	10	75	65	1019	10000
	16	93	77	1121	11000
	25	120	95	1223	12000
	32	140	108	1223	12000
	40	165	125	1223	12000
	50	195	145	1223	12000



▶ Charging Pressure / Force Increase Factor



▶ Gas Spring Mountings



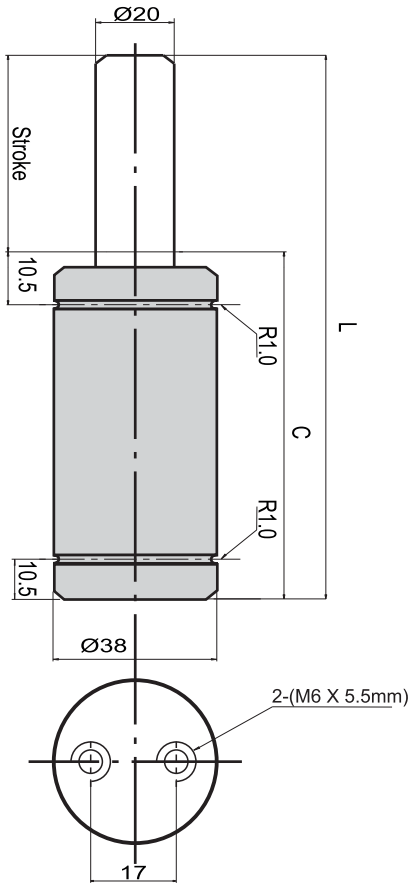
32 - TPC
Ref Page No.99



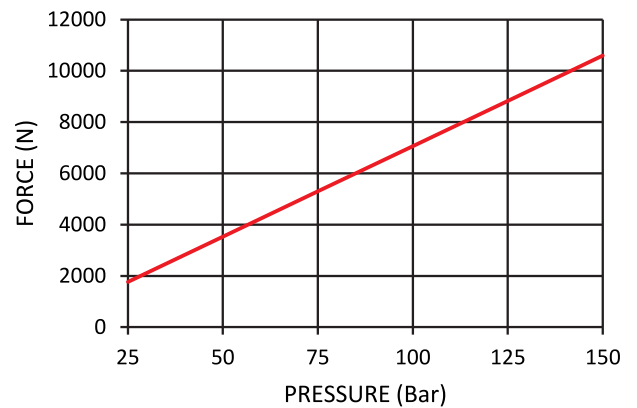
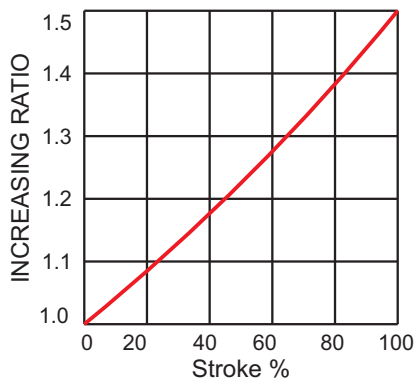
32 - STPC
Ref Page No.98

▶ Gas Spring - NFS-S5-010 Series

Code	Stroke mm	L mm (± 0.25)	C mm (-0.2)	Initial Force	
				Kg (N)	Kg (N)
NFS-S5-010	6	61	55	1080 (10600)	1631 (16000)
	10	78	68		1631 (16000)
	16	100	84		1631 (16000)
	25	135	110		1631 (16000)
	32	167	135		1631 (16000)
	40	195	155		1631 (16000)
	50	230	180		1631 (16000)



▶ Charging Pressure / Force Increase Factor



▶ Gas Spring Mountings



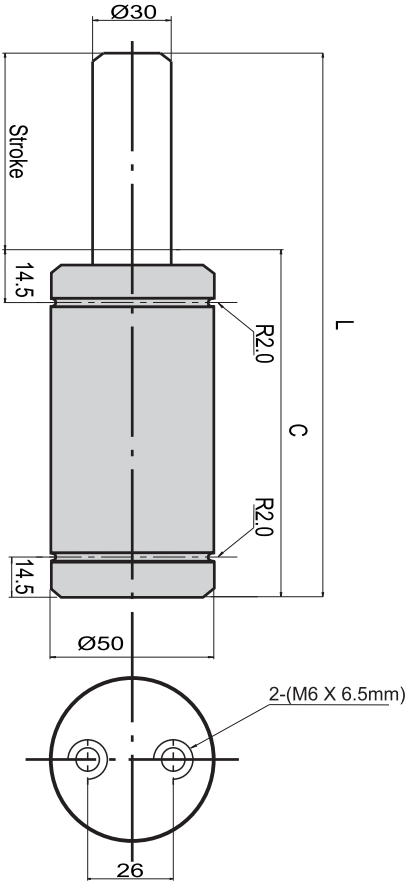
38 - TPC
Ref Page No.99



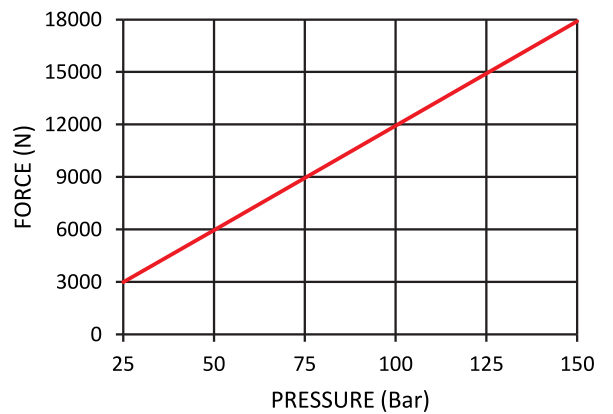
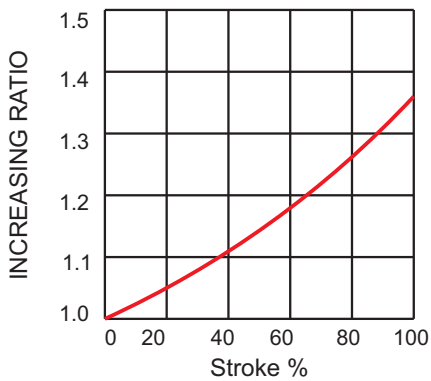
38 - STPC
Ref Page No.98

▶ Gas Spring - NFS-S5-018 Series

Code	Stroke mm	L mm (± 0.25)	C mm (-0.2)	Initial Kg (N)	End Force Kg (N)
	6	66	60	1835 (18000)	2548 (25000)
	10	80	70		2548 (25000)
	16	106	90		2548 (25000)
	25	135	110		2548 (25000)
	32	162	130		2548 (25000)
	40	190	150		2548 (25000)
	50	220	170		2548 (25000)



▶ Charging Pressure / Force Increase Factor



▶ Gas Spring Mountings

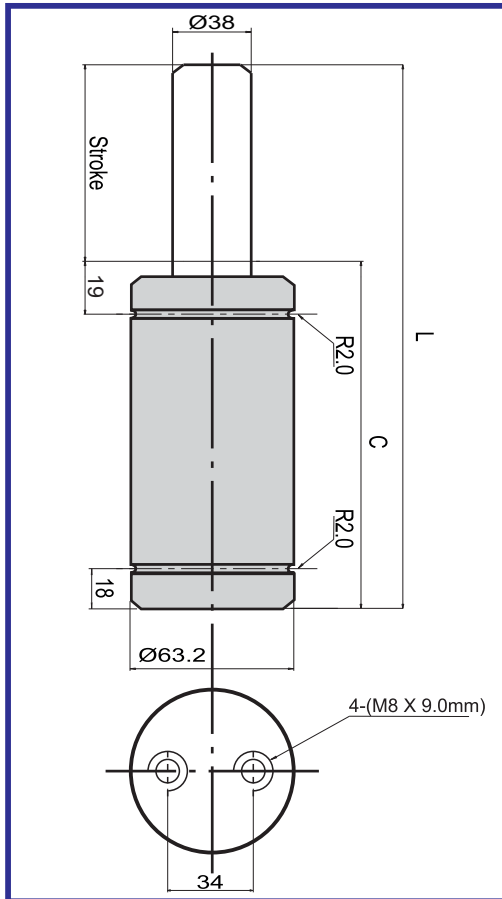


50 - TPC
Ref Page No.99



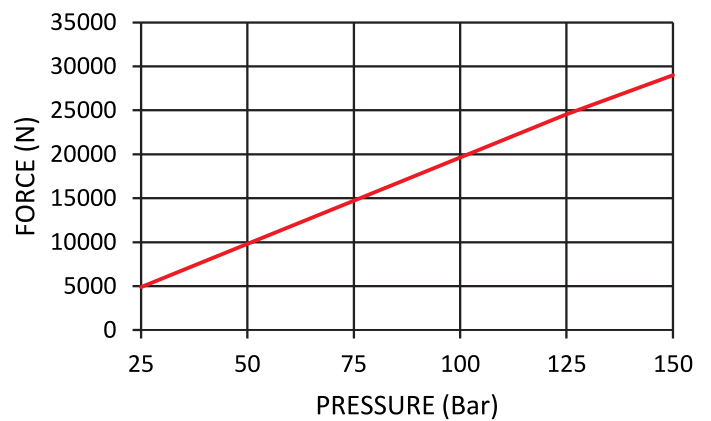
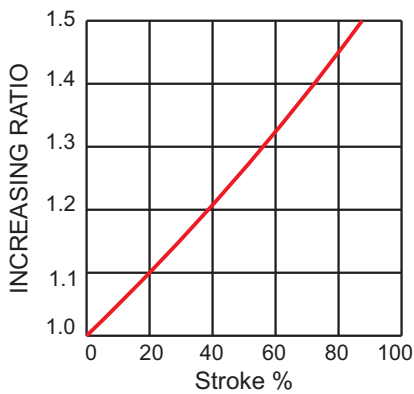
50 - STPC
Ref Page No.98

▶ Gas Spring - NFS-S5-029 Series



Code	Stroke mm	L mm (± 0.25)	C mm (-0.2)	Initial Kg (N)	End Force Kg (N)
NFS-S5-029	10	85	75	3007 (29500)	3924 (38500)
	16	103	87		4179 (41000)
	25	130	105		4383 (43000)
	32	150	118		4505 (44200)
	40	175	135		4607 (45200)
	50	205	155		4668 (45800)

▶ Charging Pressure / Force Increase Factor



▶ Gas Spring Mountings



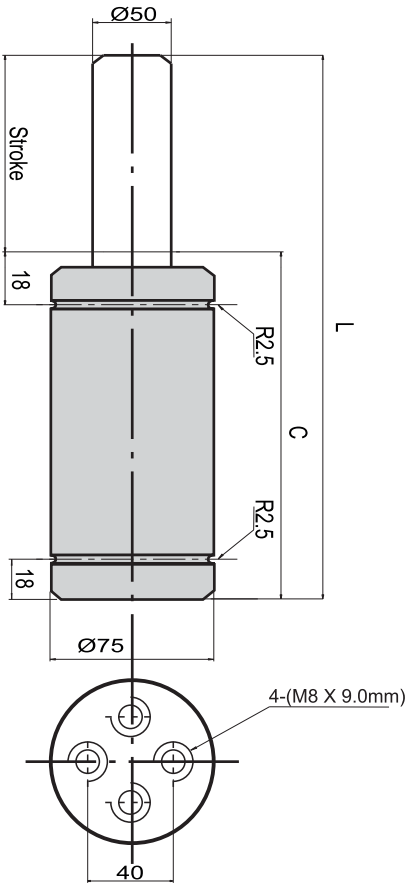
63 - TPC
Ref Page No.99



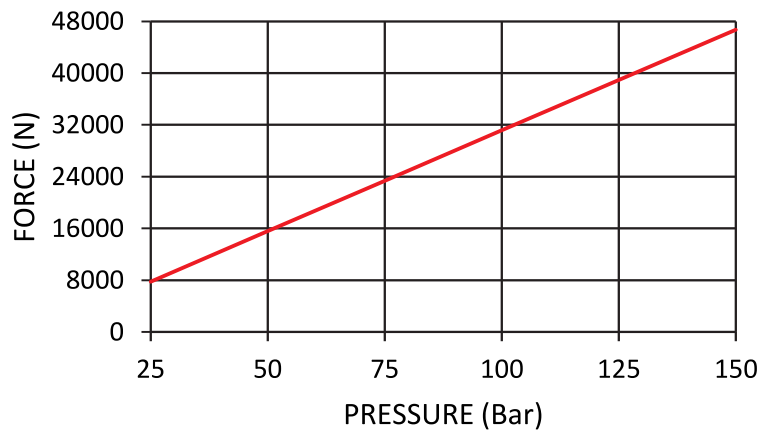
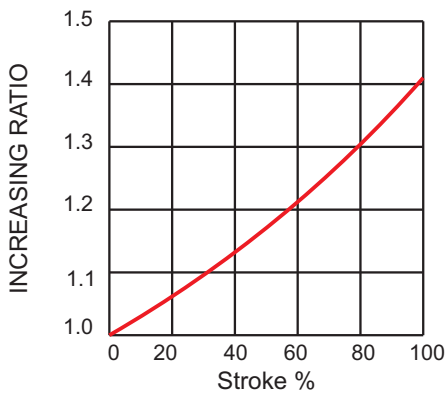
63 - STPC
Ref Page No.98

▶ Gas Spring - NFS-S5-047 Series

Code	Stroke mm	L mm (± 0.25)	C mm (-0.2)	Initial Kg (N)	
				Initial Kg (N)	End Force Kg (N)
NFS-S5-047	10	80	70	4791 (47000)	6829 (67000)
	16	106	90		6829 (67000)
	25	135	110		6829 (67000)
	32	167	135		6829 (67000)
	40	200	160		6829 (67000)
	50	240	190		6829 (67000)



▶ Charging Pressure / Force Increase Factor



▶ Gas Spring Mountings

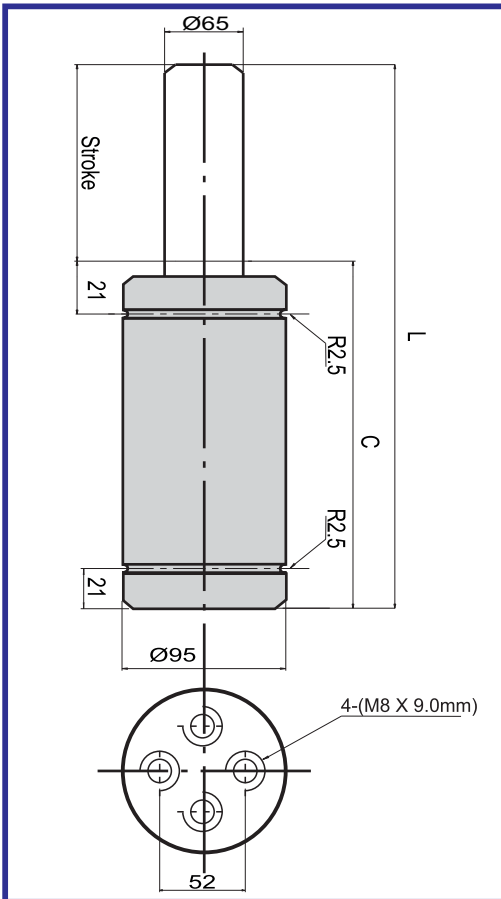


75 - TPC
Ref Page No.99



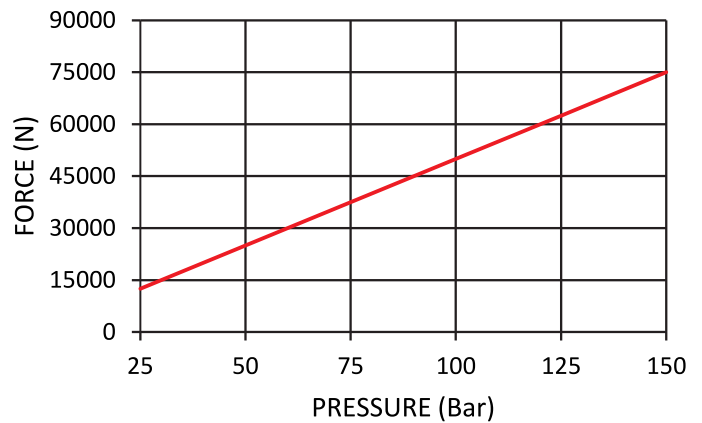
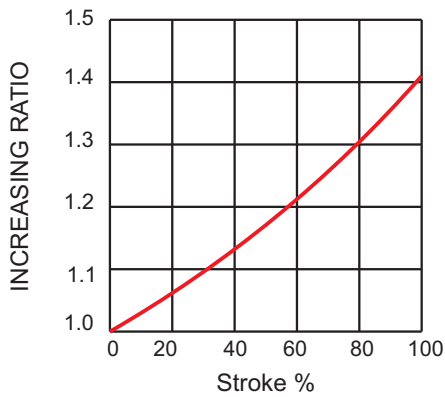
75 - STPC
Ref Page No.98

▶ Gas Spring - NFS-S5-075 Series



Code	Stroke mm	L mm (± 0.25)	C mm (-0.2)	Initial Kg (N)	End Force Kg (N)
NFS-S5-075	10	90	80	7645 (75000)	10601 (104000)
	16	116	100		10601 (104000)
	25	145	120		11111 (109000)
	32	182	150		10703 (105000)
	40	210	170		10907 (107000)
	50	255	205		10800 (106000)

▶ Charging Pressure / Force Increase Factor



▶ Gas Spring Mountings



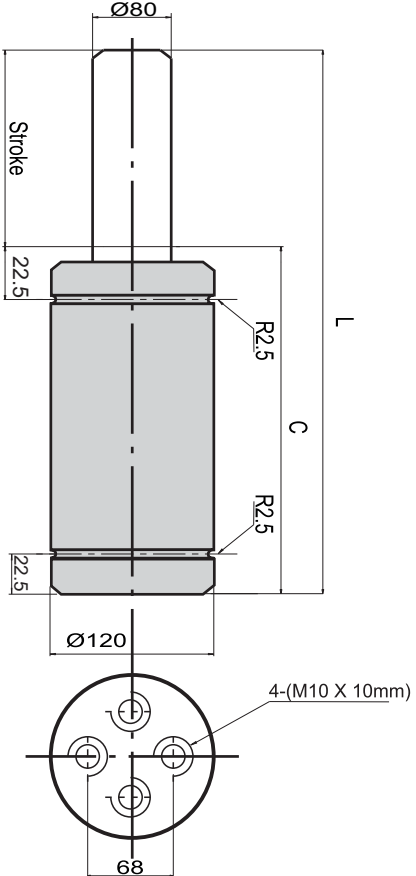
95 - TPC
Ref Page No.99



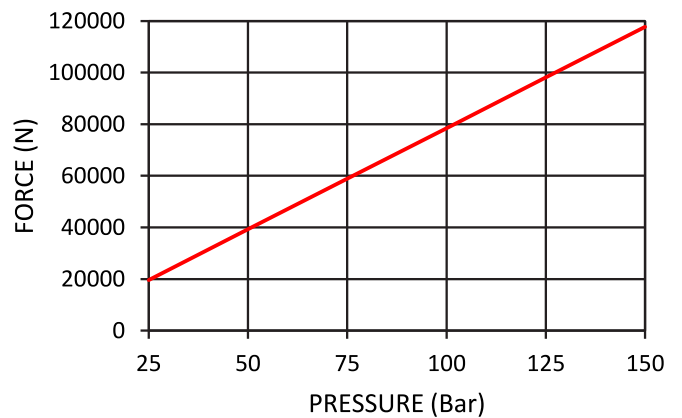
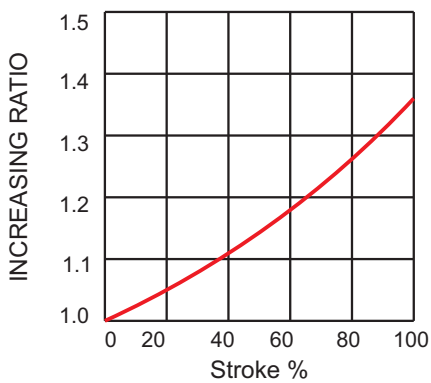
95 - STPC
Ref Page No.98

▶ Gas Spring - NFS-S5-118 Series

Code	Stroke mm	L mm (± 0.25)	C mm (-0.2)	Initial Kg (N)	End Force Kg (N)
NFS-S5-118	10	100	90	12028 (118000)	16361 (160500)
	16	126	110		15698 (154000)
	25	155	130		16412 (161000)
	32	187	155		16819 (165000)
	40	220	180		16412 (161000)
	50	260	210		16462 (161500)



▶ Charging Pressure / Force Increase Factor



▶ Gas Spring Mountings

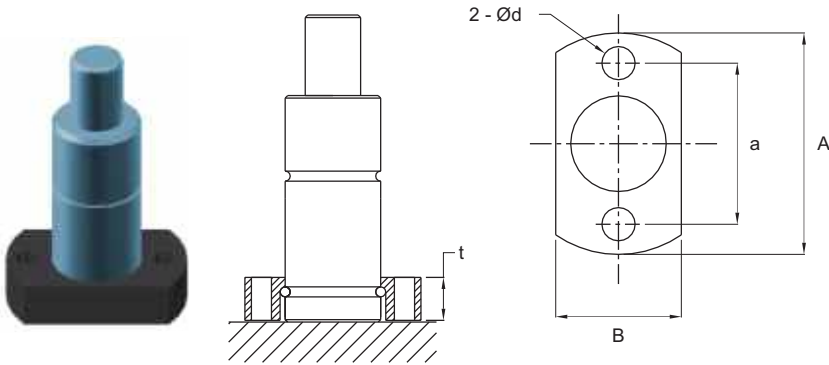


120 - TPC
Ref Page No.99



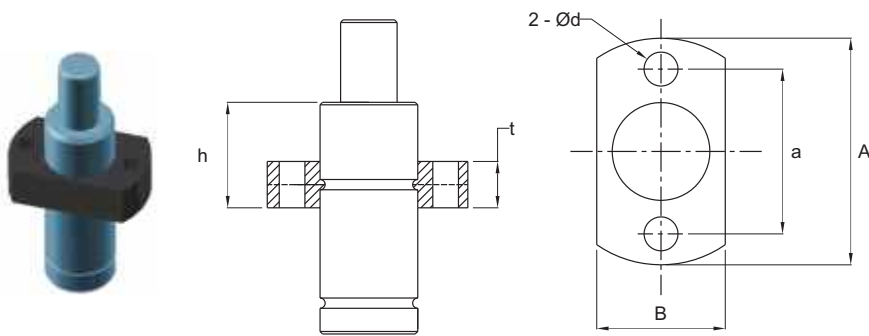
120 - STPC
Ref Page No.98

▶ BTCA



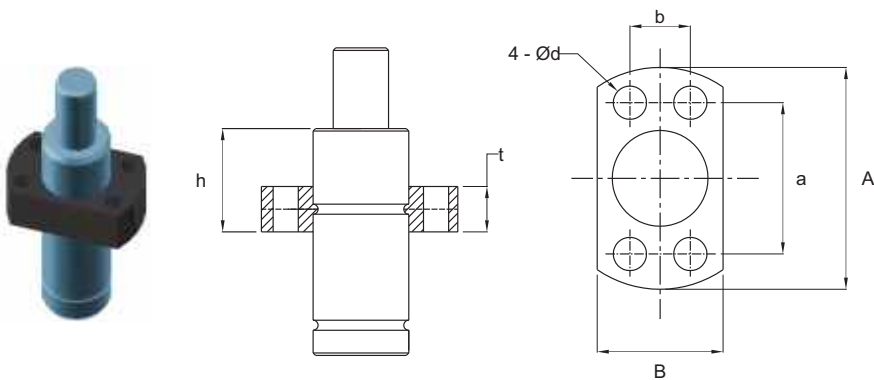
TYPE	A	a	B	d	t
19-BTCA	45	32	25	7	9.2
25-BTCA	50	38	30	7	9.2

▶ TPCA



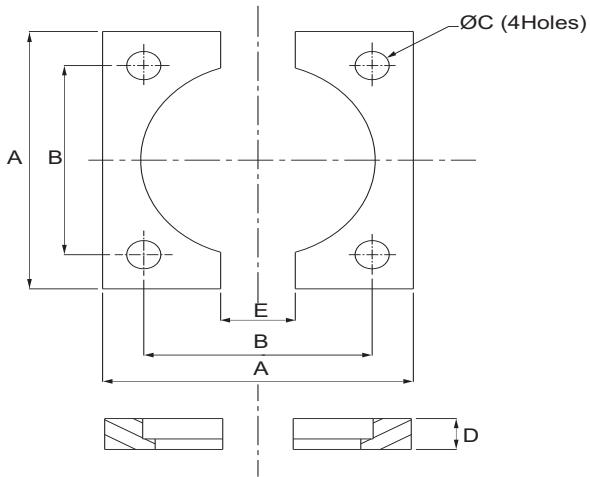
TYPE	A	a	B	d	t	h
19-TPCA	45	32	25	6.6	9	20.5
25-TPCA	50	38	30	6.6	9	20.5

▶ TPCB



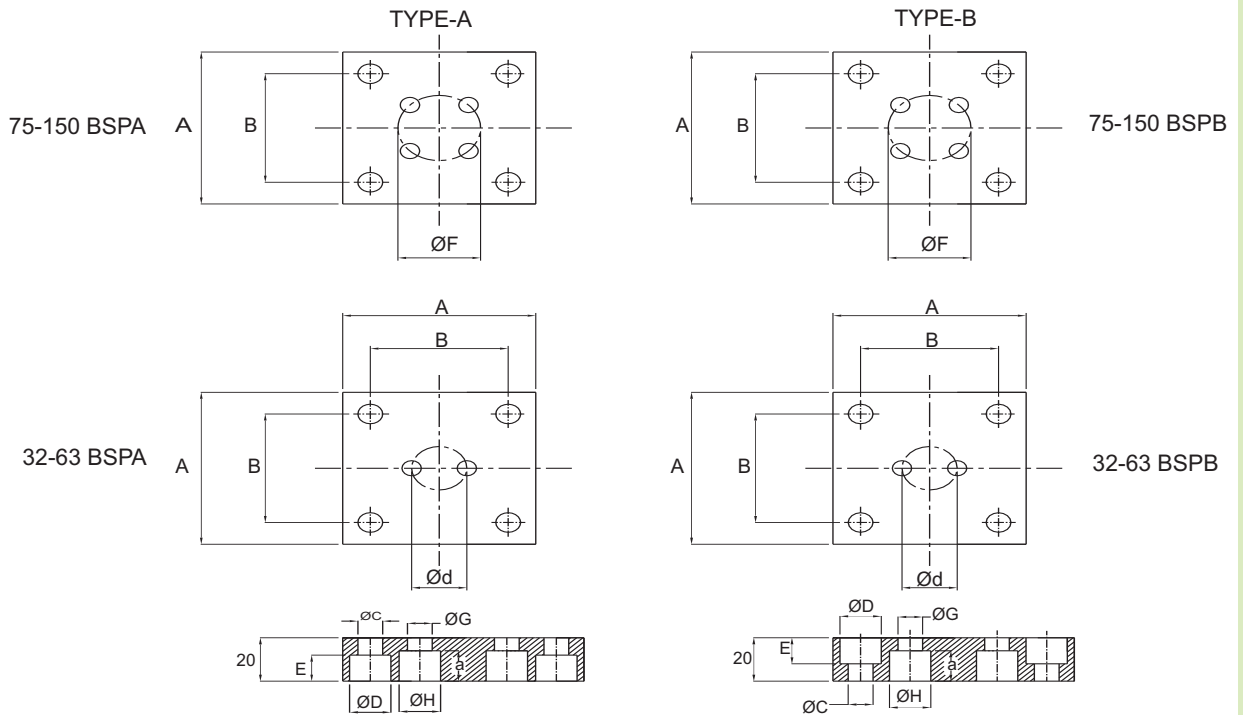
TYPE	A	a	B	b	d	t	h
19-TPCB	45	30	25	12	6.6	9	20.5
25-TPCB	50	34	30	18	6.6	9	20.5

▶ BTC



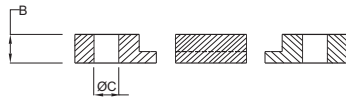
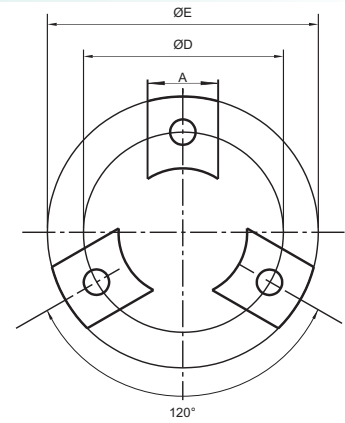
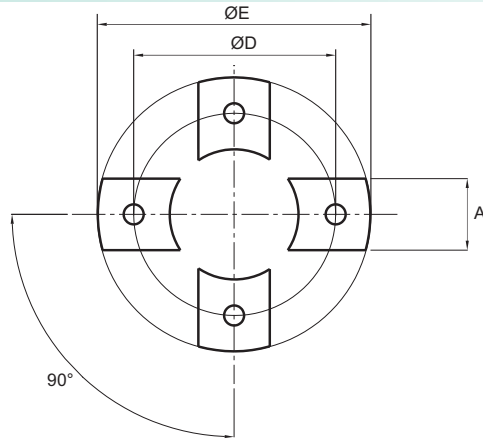
Type	A	B	ØC	D	E
32-BTC	50	35	7	7	12
38-BTC	55	40	7	7	12
45-BTC	70	50	9	7	20
50-BTC	75	56.5	9	12	24
63-BTC	100	73.5	11	12	24
75-BTC	100	73.5	11	12	24
95-BTC	120	92	13.5	12	24
120-BTC	140	109.5	13.5	12	24
150-BTC	190	138	17.5	12	24
195-BTC	210	170	17.5	13	24

▶ BSP



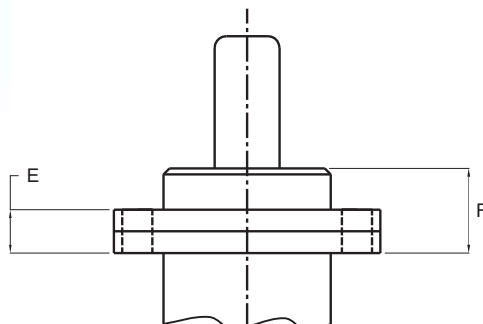
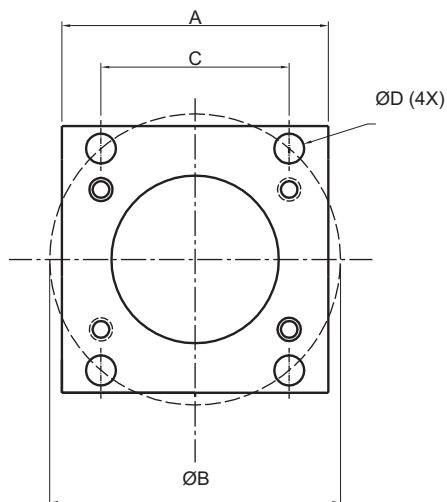
TYPE	A	B	ØC	ØD	E	Ød	ØF	ØG	ØH	a
45-BSP(A/B)	70	50	9	15	12	20	-	9	15	12
50-BSP(A/B)	75	56.5	9	15	12	20	-	9	15	12
50-BSP(A/B)-S2	75	56.5	9	15	12	31.7	-	9	15	12
63-BSP(A/B)	100	73.5	11	18	12	20	-	9	15	12
75-BSP(A/B)	100	73.5	11	18	14	-	40	9	15	12
75-BSP(A/B)-S2	100	73.5	11	18	14	-	53.9	9	15	12
95-BSP(A/B)	120	92	13.5	20	13	-	60	9	15	14
95-BSP(A/B)-S2	120	92	13.5	20	13	-	76.2	9	15	14
120-BSP(A/B)	140	109.5	13.5	20	13	-	80	11	18	15
150-BSP(A/B)	190	138	17.5	26	17	-	100	11	18	15
195-BSP(A/B)	210	170	17.5	26	17	-	120	13.5	20	15

▶ SPC



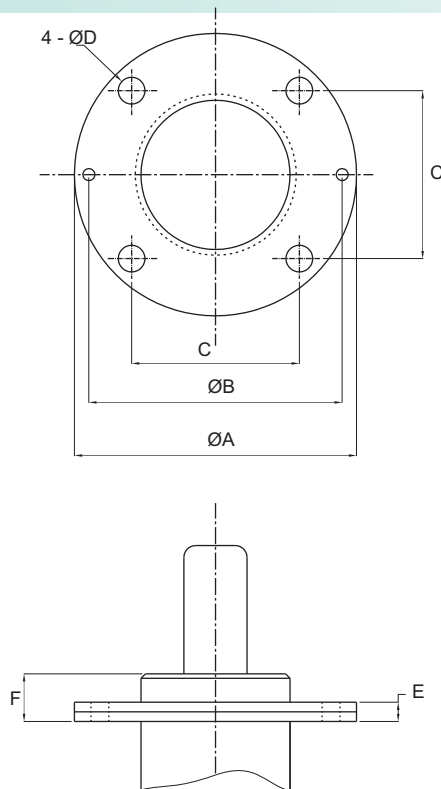
TYPE	A	B	ØC	ØD	E
38-SPC	20	7	7	56.6	76.6
45-SPC	25	7	9	70.7	95.8
50-SPC	30	12	9	80	110
63-SPC	30	12	11	92	122
75-SPC	30	12	11	104	134
95-SPC	40	12	13	130	170
120-SPC	50	12	13	155	195
150-SPC	50	12	17	195	220

▶ STPC



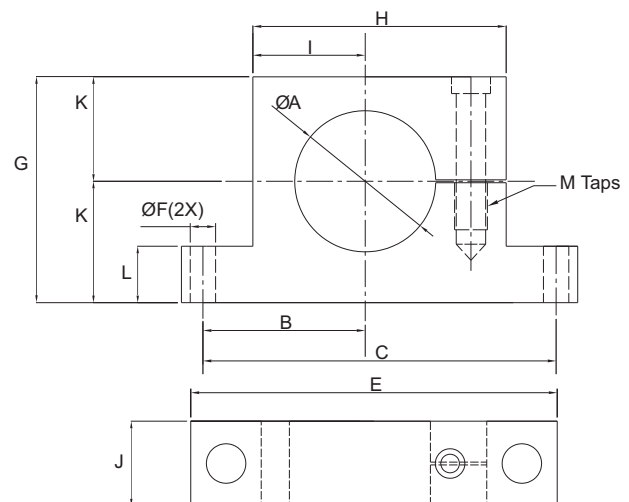
TYPE	A	ØB	C	ØD	E	F
32-STPC	45	49.5	35	7	9	15
38-STPC	52	56.5	40	7	9	15
45-STPC	64	70.7	50	9	13	21
50-STPC	70	80	56.5	9	13	21
63-STPC	90	104	73.5	11	16	24
75-STPC	90	104	73.5	11	16	26
95-STPC	110	130	92	13.5	18	30
120-STPC	130	155	109.5	13.5	21	33
150-STPC	162	195	138	17.5	27	38
195-STPC	210	240.4	170	17.5	27	44

▶ TPC



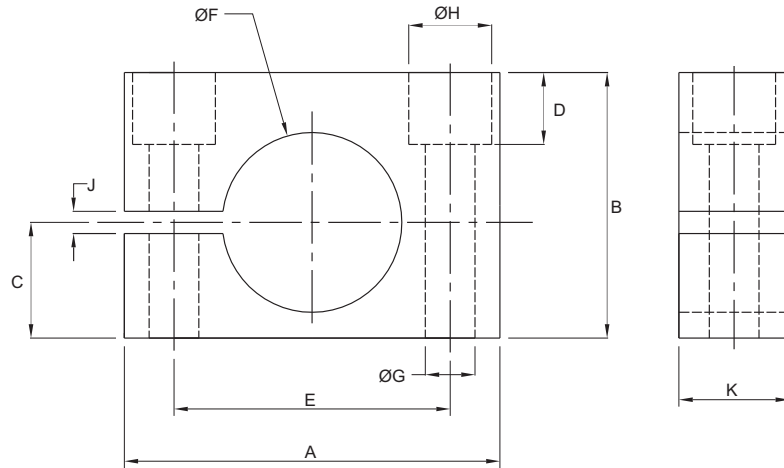
TYPE	ØA	ØB	C	ØD	E	F
32-TPC	60	49.5	35	7	9	15
38-TPC	68	56.5	40	7	9	15
45-TPC	86	70.7	50	9	13	21
50-TPC	95	80	56.5	9	13	21
63-TPC	122	104	73.5	11	16	24
75-TPC	122	104	73.5	11	16	26
95-TPC	150	130	92	13.5	18	30
120-TPC	175	155	109.5	13.5	21	33
150-TPC	220	195	138	17.5	27	38
195-TPC	290	240.4	170	17.5	27	44

▶ FLC



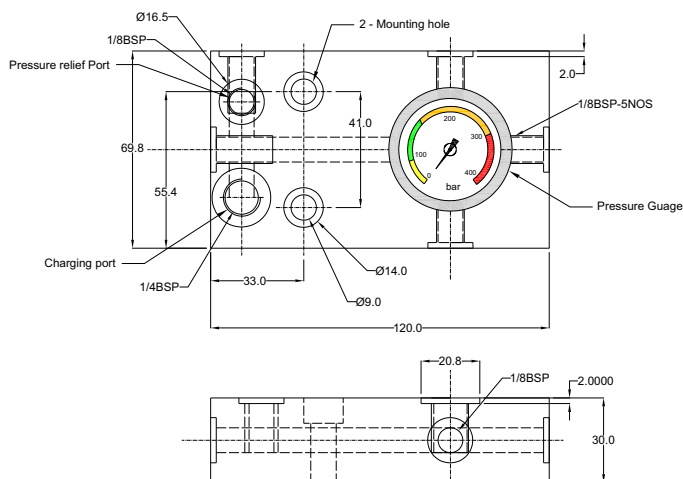
TYPE	ØA	B	C	E	ØF	G	H	I	J	K	L	M Taps
32-FLC	32	31	72	90	9	45	54	22	20	22.5	15	M8
38-FLC	38	34	77	95	9	55	59	25	20	27.5	15	M8
45-FLC	45	37	82	100	9	60	64	28	20	30	15	M8
50-FLC	50	50	110	130	9	80	90	40	30	40	20	M8
63-FLC	63	49.5	123	146	11	90	102	39	30	45	20	M8
75-FLC	75	63.5	137	160	11	105	115	52.5	30	52.5	20	M10
95-FLC	95	80	170	195	13.5	125	145	67.5	30	62.5	20	M12
120-FLC	120	92.5	195	220	13.5	148	165	77.5	30	74	20	M12
150-FLC	150	110	230	260	13.5	200	200	95	30	100	20	M12

► FLCA



TYPE	A	B	C	D	E	F	G	H	J	K
32-FLCA	68	48	20.9	10	50	32.5	9	15	4	20
38-FLCA	74	54	23.9	16	54	38.5	9	15	4	20
45-FLCA	80	60	27.5	22	60	45.5	9	15	4	20
50-FLCA	90	70	30	25	68	50.5	11	18	5	30
63-FLCA	108	82	36.5	27	84	63.5	11	18	5	30
75-FLCA	125	94	42	32	100	75.5	13.5	20	5	30
95-FLCA	140	115	52.5	33	115	95.5	13.5	20	5	30
120-FLCA	170	140	65	58	145	120.5	13.5	20	7	30
150-FLCA	200	170	80	68	175	150.5	13.5	20	7	30

► Standard Control Panel - NFS-CP1



Order Code : Code
Example : NFS-CP1